

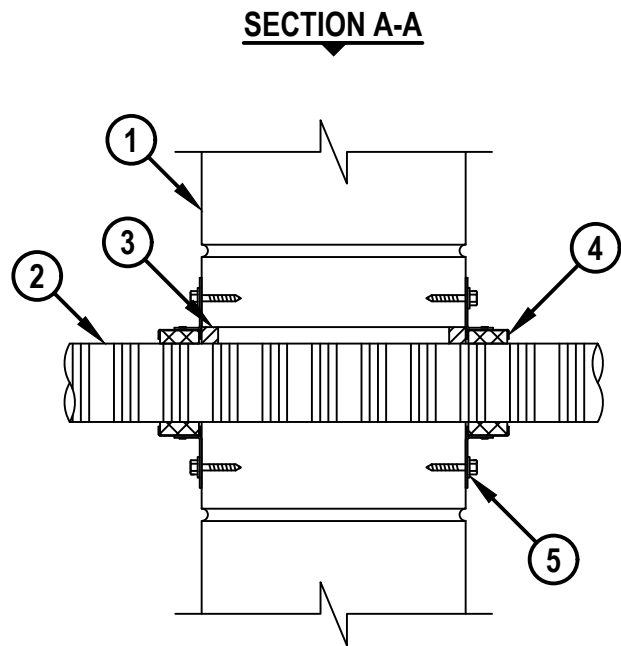
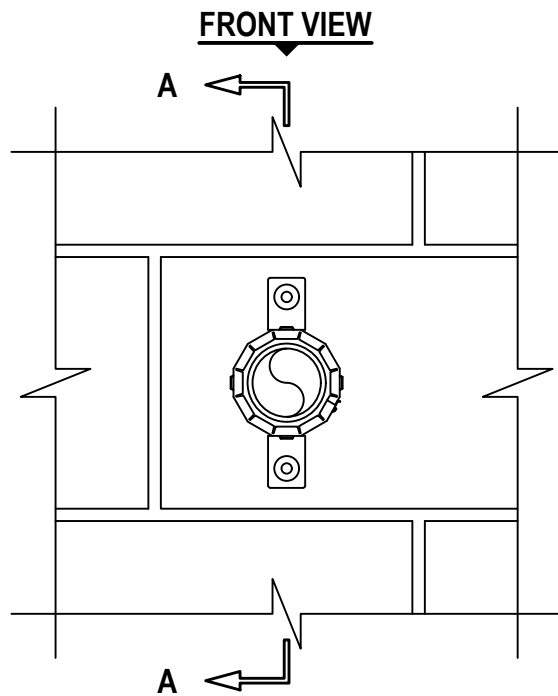
PLASTIC PIPE THROUGH CONCRETE WALL OR CONCRETE BLOCK WALL ASSEMBLY

F-RATING = 2-HR.

T-RATING = 1-1/2-HR.

NOTE : TESTED WITH A 50 Pa PRESSURE DIFFERENTIAL

WJ2331a.090517



1. CONCRETE WALL ASSEMBLY (2-HR. FIRE-RATING) :
 - A. LIGHTWEIGHT OR NORMAL WEIGHT CONCRETE WALL (MINIMUM 6" THICK).
 - B. ANY UL/cUL CLASSIFIED CONCRETE BLOCK WALL.
2. MAXIMUM 2" NOMINAL DIAMETER ENT.
3. MINIMUM 1/2" DEPTH HILTI FS-ONE MAX INTUMESCENT FIRESTOP SEALANT.
4. HILTI CP 643N FIRESTOP COLLAR WITH FASTENING HOOKS.
5. ATTACH EACH FASTENING HOOK TO WALL ASSEMBLY WITH 1/4" x 1-1/4" LONG STEEL EXPANSION BOLTS, 1-1/4" LONG CONCRETE SCREW ANCHORS, MIN. 0.145" x 1-1/4" LONG POWDER ACTUATED FASTENERS WITH 9/16" DIA. STEEL WASHERS, 1/4" x 1-1/4" LONG HILTI KWIK-CON II+ CONCRETE SCREW ANCHOR, 1/4" x 1-3/4" LONG HILTI KWIK-BOLT 3 STEEL EXPANSION ANCHOR, OR HILTI X-U 27 P8 S15 POWDER ACTUATED FASTENER WITH INTEGRAL WASHER.

NOTES : 1. MAXIMUM DIAMETER OF OPENING = 2-7/8".
 2. ANNULAR SPACE = MINIMUM 0", MAXIMUM 1/2".



HILTI, Inc.
 Plano, Texas USA (800) 879-8000

Sheet	1 of 1
Scale	11/64" = 1"
Date	Sep. 05, 2017

Drawing No.
WJ
2331a