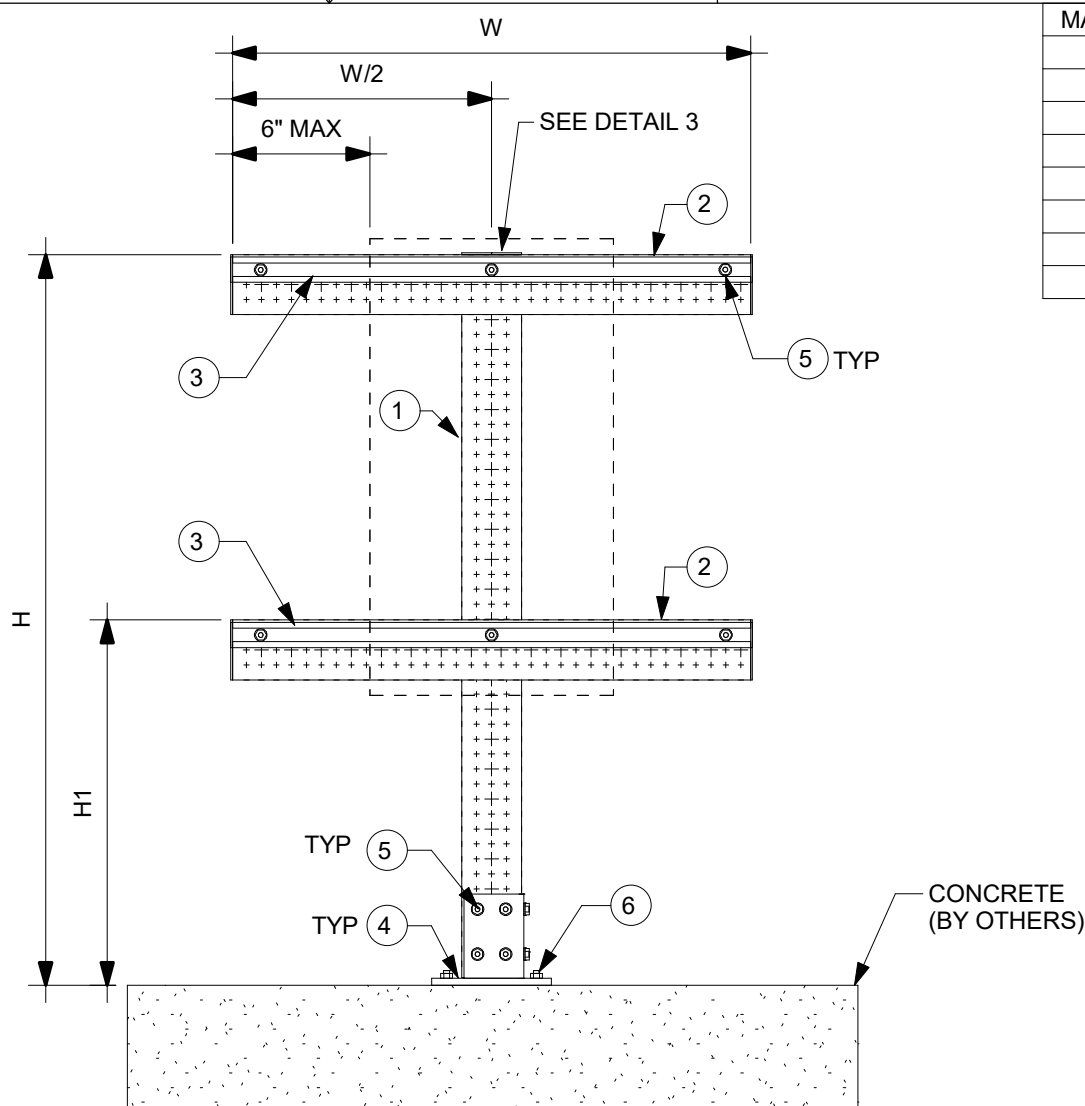
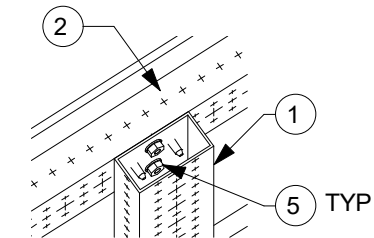


1 ISOMETRIC
N.T.S.



2 ELEVATION
N.T.S.

MARK	ITEM NO.	DESCRIPTION	QTY.
1	2268367	MT-80 OC	1
2	2268367	MT-80 OC	2
3	2268500	MT-30 OC	2
4	2272101	MT-B-GS O4U OC	1
5	2272084	MT-TFB OC	24
6	2210261	ANCHOR KB-TZ2 1/2" x 4-1/2" SS304	4
7	2273698	MT-EC-80	5
8	2273642	MT-EC-30	4



3 BOLT DETAIL
N.T.S.

TABLE A

Max W, in	48
Max H, in	78
Max H1, in	42
Max Panel Weight	200
Transverse	60
Longitudinal	60

ALLOWABLE
LOADS, lbs

NOTE(S):

A. THE TYPICAL ELECTRICAL AND INSTRUMENTATION (E&I) DETAIL REPRESENTS A COMMON CONFIGURATION FOR THIS APPLICATION. THE TYPICAL E&I SUPPORT IS LOAD RATED AND DIMENSIONALLY LIMITED BASED ON PANEL/INSTRUMENT LOADS, HILTI PUBLISHED DATA, DESIGN METHODOLOGY AND GENERIC NON-PROJECT SPECIFIC ASSUMPTIONS SET FORTH IN PROFIS MODULAR SUPPORT ENGINEERING SOFTWARE VERSION 1.3. THE ENGINEER OF RECORD SHALL EVALUATE THIS TYPICAL SUPPORT TO DETERMINE ITS SUITABILITY FOR THE ACTUAL PROJECT SPECIFIC DESIGN CRITERIA AND REQUIREMENTS.

B. THE EVALUATION OF EXISTING STRUCTURE IS OUTSIDE OF E&I TYPICAL DESIGN SCOPE AND SHALL BE PERFORMED BY THE ENGINEER OF RECORD.

C. TYPICAL SUPPORT DESIGN IS BASED ON INTERNATIONAL BUILDING CODE (IBC) 2018. SEE TABLE-A FOR ALLOWABLE STRENGTH DESIGN LOADS (STATIC U.N.O.); GOVERNING LATERAL LOADS NOTED IN THE ALLOWABLE LOAD TABLE IS MAXIMUM OF 30% OF DEAD LOAD.

D. ALL LOADS ASSUMED TO ACT AT THE 6" FROM FACE OF MT OFF THE HORIZONTAL SUPPORT BEAMS. THE EVALUATION OF A CENTER OF GRAVITY GREATER THAN 6" SHALL BE PERFORMED BY THE ENGINEER OF RECORD.

E. MAXIMUM ALLOWABLE LOADS NOTED IN TABLE-A ARE BASED ON THE GOVERNING COMBINATION OF VERTICAL LOAD WITH TRANSVERSE LOAD OR VERTICAL LOAD WITH LONGITUDINAL LOAD. A SEPARATE ANALYSIS MUST BE PERFORMED WHEN TRANSVERSE AND LONGITUDINAL LOAD OCCURS SIMULTANEOUSLY.

F. PANEL/INSTRUMENT CONNECTION HARDWARE AND DESIGN MUST BE CHECKED SEPARATELY. WHEN MULTIPLE BOXES ARE ATTACHED TO THE SUPPORT, ALL BOXES SHALL NOT EXCEED MAX PANEL WEIGHT. BOXES MUST BE SYMMETRICALLY PLACED ON STAND.

G. REFER TO HILTI INSTRUCTION FOR USE SHEET FOR REQUIRED INSTALLATION INFORMATION. THREAD FORMING BOLT MAY BE INSTALLED USING A TORQUE WRENCH OR SI-AT-A22 PER INSTRUCTION FOR USE.

H. SEE BOM FOR KWIK BOLT-TZ2 ANCHOR BOLT. FOR 1/2" DIA. HILTI KWIK BOLT-TZ2 USE MIN. 3-1/4" EFFECTIVE EMBEDMENT. FOR 5/8" DIA. KWIK BOLT-TZ2 USE 3-1/4" MIN. EFFECTIVE EMBEDMENT. INSTALL ANCHOR PER ESR-4266 AND HILTI'S INSTRUCTIONS FOR USE AND RECOMMENDATIONS. MIN. CONCRETE COMPRESSIVE STRENGTH F'C=3000 PSI, MIN. CONCRETE EDGE DISTANCE = 6", AND MIN. CONCRETE THICKNESS = 6".

I. CONCRETE ANCHORS NOTED IN THE BILL OF MATERIAL ARE DESIGNED ONLY FOR WIND LATERAL LOADING. ENGINEER OF RECORD TO VERIFY ADEQUACY OF ANCHOR WHEN TYPICAL IS BEING USED FOR SEISMIC LATERAL LOADING.

All loading and design criteria supplied by customer is assumed accurate. Only the stated Design Assumptions were considered, and must be verified by the responsible Engineer of Record (EOR). The basis of Hilti component and connection design is the published data in the current Hilti Technical Guide, including material and cross-section properties, allowable load values, factors of safety, methods of calculation, and limiting factors. The EOR must verify suitability for any specific application, and the capacity of the supportive structure to receive the shown configuration and associated reaction loads. Modification to components and/or design may alter performance and must be evaluated by the EOR.

REVISION HISTORY

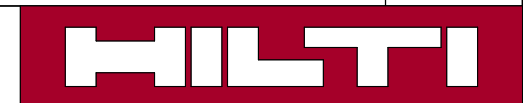
NO.	DESCRIPTION:	DATE:
B	NOTES MODIFICATIONS	01/29/2021
C	ISSUE FOR BU USE	07/06/2021
D	ANCHOR NOTE AND BOM MODIFICATION FOR ANCHOR	03/22/2022

PROJECT NAME:

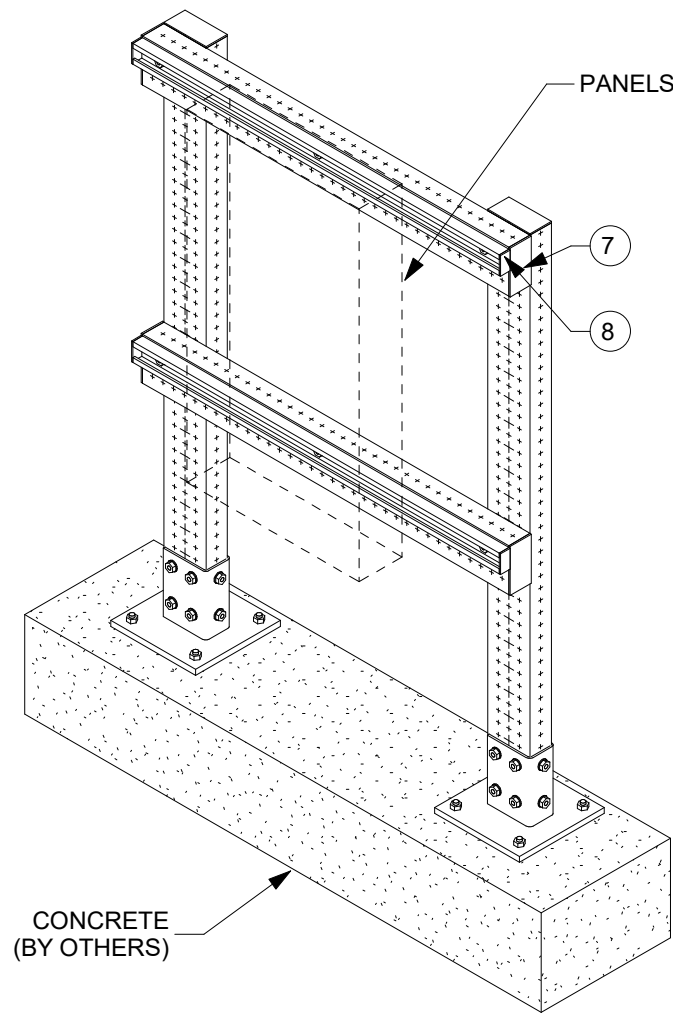
PANEL STAND MT80 C 003

PROJECT DESCRIPTION:

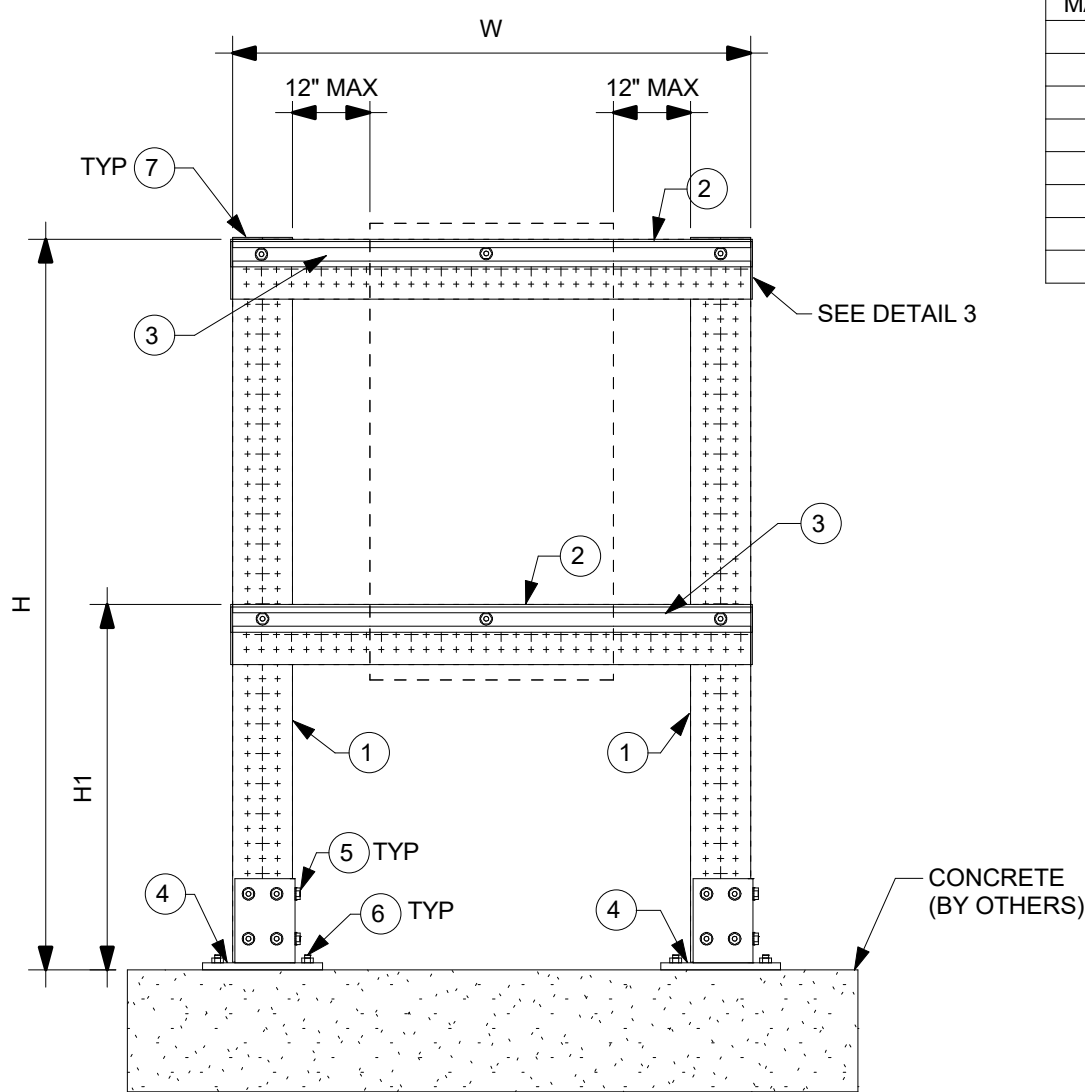
PANEL STAND MT80 C 003



DRAWN:	CHECKED:	DESIGNED:	REVIEWED:
GAB	IDP	JDR	BVD
PAPER SIZE: ANSI B		PROJECT NUMBER: - PS8C3 - 1	

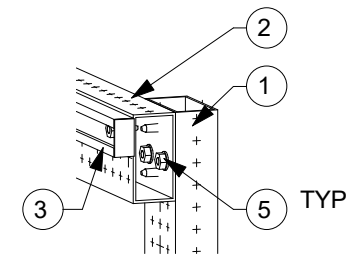


1 ISOMETRIC
N.T.S.



2 ELEVATION
N.T.S.

MARK	ITEM NO.	DESCRIPTION	QTY.
1	2268367	MT-80 OC	2
2	2268367	MT-80 OC	2
3	2268500	MT-30 OC	2
4	2272101	MT-B-GS O4U OC	2
5	2272084	MT-TFB OC	42
6	2210261	ANCHOR KB-TZ2 1/2" x 4-1/2" SS304	8
7	2273698	MT-EC-80	6
8	2273642	MT-EC-30	4



3 BOLT DETAIL
N.T.S.

TABLE A	
Max W, in	48
Max H, in	78
Max H1, in	42
Max Panel Weight	400
Transverse	120
Longitudinal	120

ALLOWABLE LOADS, lbs

NOTE(S):

A. THE TYPICAL ELECTRICAL AND INSTRUMENTATION (E&I) DETAIL REPRESENTS A COMMON CONFIGURATION FOR THIS APPLICATION. THE TYPICAL E&I SUPPORT IS LOAD RATED AND DIMENSIONALLY LIMITED BASED ON PANEL/INSTRUMENT LOADS, HILTI PUBLISHED DATA, DESIGN METHODOLOGY AND GENERIC NON-PROJECT SPECIFIC ASSUMPTIONS SET FORTH IN PROFIS MODULAR SUPPORT ENGINEERING SOFTWARE VERSION 1.3. THE ENGINEER OF RECORD SHALL EVALUATE THIS TYPICAL SUPPORT TO DETERMINE ITS SUITABILITY FOR THE ACTUAL PROJECT SPECIFIC DESIGN CRITERIA AND REQUIREMENTS.

B. THE EVALUATION OF EXISTING STRUCTURE IS OUTSIDE OF E&I TYPICAL DESIGN SCOPE AND SHALL BE PERFORMED BY THE ENGINEER OF RECORD.

C. TYPICAL SUPPORT DESIGN IS BASED ON INTERNATIONAL BUILDING CODE (IBC) 2018. SEE TABLE-A FOR ALLOWABLE STRENGTH DESIGN LOADS (STATIC U.N.O.); GOVERNING LATERAL LOADS NOTED IN THE ALLOWABLE LOAD TABLE IS MAXIMUM OF 30% OF DEAD LOAD.

D. ALL LOADS ASSUMED TO ACT AT THE 6" FROM FACE OF MT OFF THE HORIZONTAL SUPPORT BEAMS. THE EVALUATION OF A CENTER OF GRAVITY GREATER THAN 6" SHALL BE PERFORMED BY THE ENGINEER OF RECORD.

E. MAXIMUM ALLOWABLE LOADS NOTED IN TABLE-A ARE BASED ON THE GOVERNING COMBINATION OF VERTICAL LOAD WITH TRANSVERSE LOAD OR VERTICAL LOAD WITH LONGITUDINAL LOAD. A SEPARATE ANALYSIS MUST BE PERFORMED WHEN TRANSVERSE AND LONGITUDINAL LOAD OCCURS SIMULTANEOUSLY.

F. PANEL/INSTRUMENT CONNECTION HARDWARE AND DESIGN MUST BE CHECKED SEPARATELY. WHEN MULTIPLE BOXES ARE ATTACHED TO THE SUPPORT, ALL BOXES SHALL NOT EXCEED MAX PANEL WEIGHT. BOXES MUST BE SYMMETRICALLY PLACED ON STAND.

G. REFER TO HILTI INSTRUCTION FOR USE SHEET FOR REQUIRED INSTALLATION INFORMATION. THREAD FORMING BOLT MAY BE INSTALLED USING A TORQUE WRENCH OR SI-AT-A22 PER INSTRUCTION FOR USE.

H. SEE BOM FOR KWIK BOLT-TZ2 ANCHOR BOLT. FOR 1/2" DIA. HILTI KWIK BOLT-TZ2 USE MIN. 3-1/4" EFFECTIVE EMBEDMENT. FOR 5/8" DIA. KWIK BOLT-TZ2 USE 3-1/4" MIN. EFFECTIVE EMBEDMENT. INSTALL ANCHOR PER ESR-4266 AND HILTI'S INSTRUCTIONS FOR USE AND RECOMMENDATIONS. MIN. CONCRETE COMPRESSIVE STRENGTH F'C=3000 PSI, MIN. CONCRETE EDGE DISTANCE = 6", AND MIN. CONCRETE THICKNESS = 6".

I. CONCRETE ANCHORS NOTED IN THE BILL OF MATERIAL ARE DESIGNED ONLY FOR WIND LATERAL LOADING. ENGINEER OF RECORD TO VERIFY ADEQUACY OF ANCHOR WHEN TYPICAL IS BEING USED FOR SEISMIC LATERAL LOADING.

All loading and design criteria supplied by customer is assumed accurate. Only the stated Design Assumptions were considered, and must be verified by the responsible Engineer of Record (EOR). The basis of Hilti component and connection design is the published data in the current Hilti Technical Guide, including material and cross-section properties, allowable load values, factors of safety, methods of calculation, and limiting factors. The EOR must verify suitability for any specific application, and the capacity of the supportive structure to receive the shown configuration and associated reaction loads. Modification to components and/or design may alter performance and must be evaluated by the EOR.

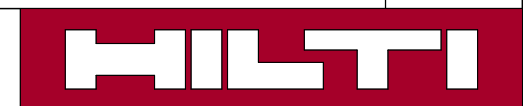
REVISION HISTORY		
NO.	DESCRIPTION:	DATE:
B	NOTE MODIFICATIONS	01/29/2021
C	ISSUE FOR BU USE	07/06/2021
D	ANCHOR NOTE AND BOM MODIFICATION FOR ANCHOR	03/22/2022

PROJECT NAME:

PANEL STAND MT80 C 001

PROJECT DESCRIPTION:

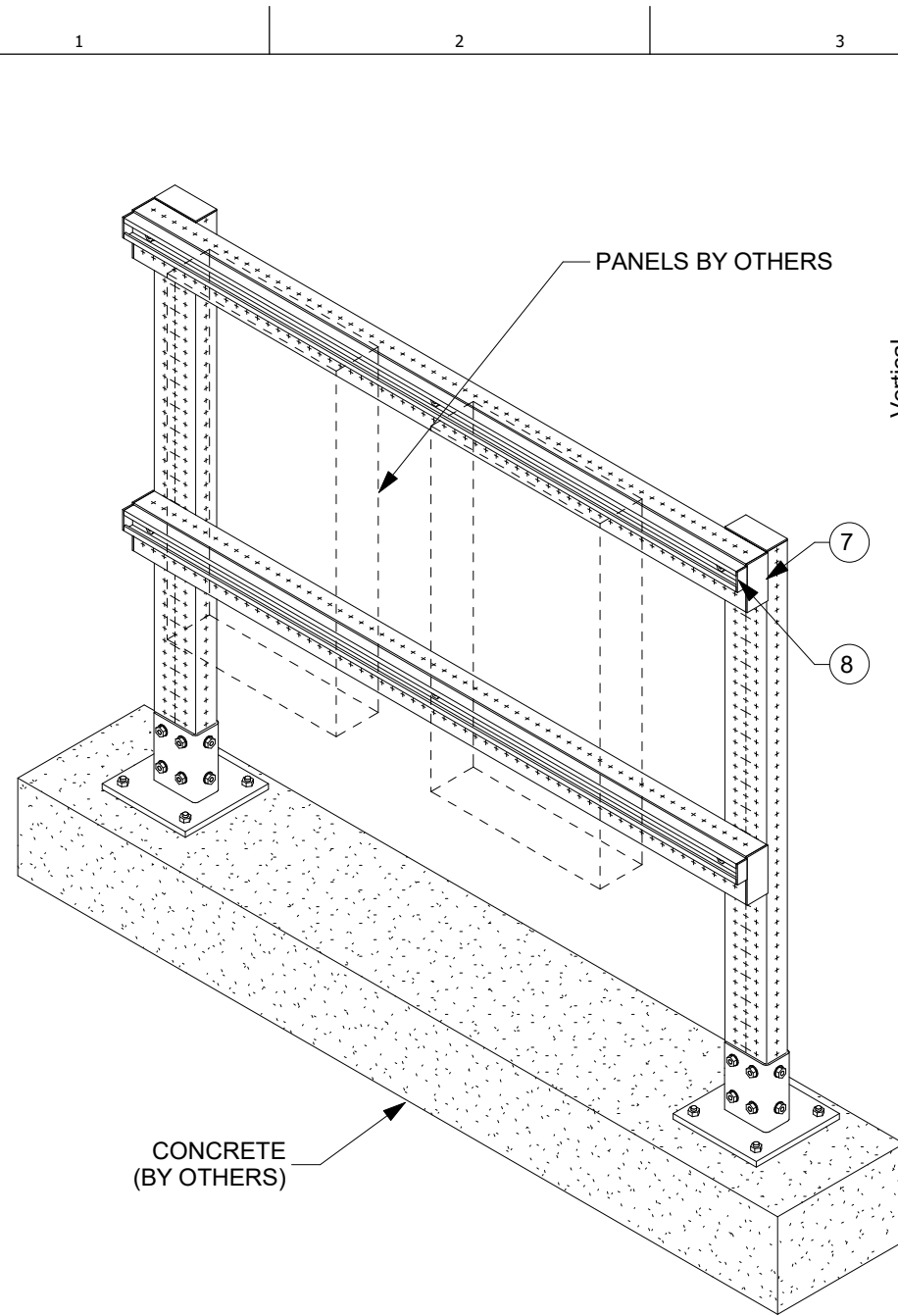
PANEL STAND MT80 C 001



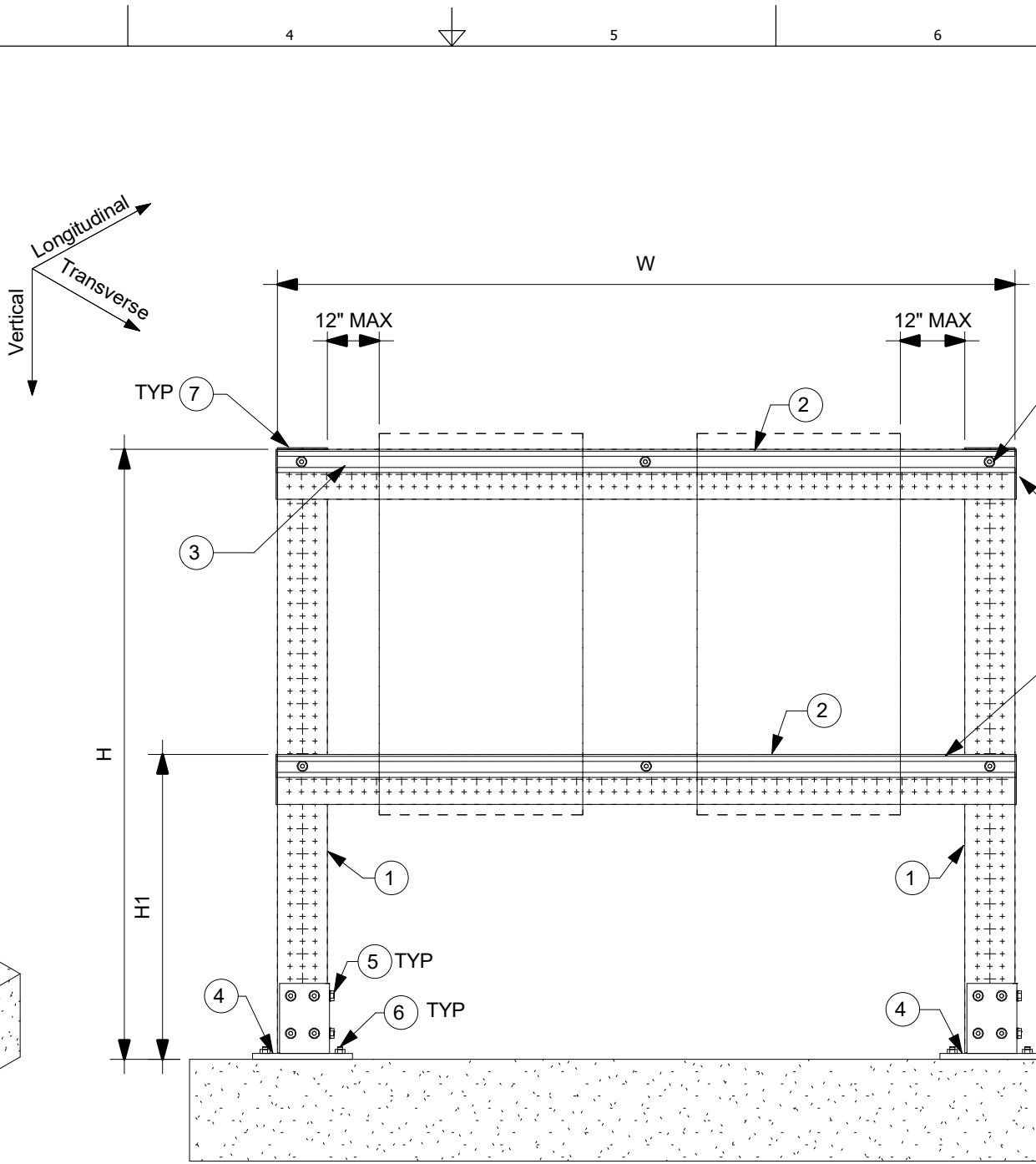
DRAWN:	CHECKED:	DESIGNED:	REVIEWED:
--------	----------	-----------	-----------

GAB	IDP	JDR	BVD
-----	-----	-----	-----

PAPER SIZE: ANSI B	PROJECT NUMBER: - PS8C1 - 1		
	PROJECT	JOB	SHEET

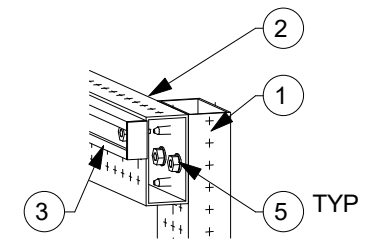


1 ISOMETRIC
N.T.S.



2 ELEVATION
N.T.S.

MARK	ITEM NO.	DESCRIPTION	QTY.
1	2268367	MT-80 OC	2
2	2268367	MT-80 OC	2
3	2268500	MT-30 OC	2
4	2272101	MT-B-GS O4U OC	2
5	2272084	MT-TFB OC	42
6	2210261	ANCHOR KB2-TZ 1/2" x 4-1/2" SS304	8
7	2273698	MT-EC-80	6
8	2273642	MT-EC-30	4



3 BOLT DETAIL
N.T.S.

TABLE A	
Max W, in	96
Max H, in	78
Max H1, in	42
Max Panel Weight	200
Transverse	60
Longitudinal	60

ALLOWABLE LOADS, lbs

NOTE(S):

A. THE TYPICAL ELECTRICAL AND INSTRUMENTATION (E&I) DETAIL REPRESENTS A COMMON CONFIGURATION FOR THIS APPLICATION. THE TYPICAL E&I SUPPORT IS LOAD RATED AND DIMENSIONALLY LIMITED BASED ON PANEL/INSTRUMENT LOADS, HILTI PUBLISHED DATA, DESIGN METHODOLOGY AND GENERIC NON-PROJECT SPECIFIC ASSUMPTIONS SET FORTH IN PROFIS MODULAR SUPPORT ENGINEERING SOFTWARE VERSION 1.3. THE ENGINEER OF RECORD SHALL EVALUATE THIS TYPICAL SUPPORT TO DETERMINE ITS SUITABILITY FOR THE ACTUAL PROJECT SPECIFIC DESIGN CRITERIA AND REQUIREMENTS.

B. THE EVALUATION OF EXISTING STRUCTURE IS OUTSIDE OF E&I TYPICAL DESIGN SCOPE AND SHALL BE PERFORMED BY THE ENGINEER OF RECORD.

C. TYPICAL SUPPORT DESIGN IS BASED ON INTERNATIONAL BUILDING CODE (IBC) 2018. SEE TABLE-A FOR ALLOWABLE STRENGTH DESIGN LOADS (STATIC U.N.O.); GOVERNING LATERAL LOADS NOTED IN THE ALLOWABLE LOAD TABLE IS MAXIMUM OF 30% OF DEAD LOAD.

D. ALL LOADS ASSUMED TO ACT AT THE 6" FROM FACE OF MT OFF THE HORIZONTAL SUPPORT BEAMS. THE EVALUATION OF A CENTER OF GRAVITY GREATER THAN 6" SHALL BE PERFORMED BY THE ENGINEER OF RECORD.

E. MAXIMUM ALLOWABLE LOADS NOTED IN TABLE-A ARE BASED ON THE GOVERNING COMBINATION OF VERTICAL LOAD WITH TRANSVERSE LOAD OR VERTICAL LOAD WITH LONGITUDINAL LOAD. A SEPARATE ANALYSIS MUST BE PERFORMED WHEN TRANSVERSE AND LONGITUDINAL LOAD OCCURS SIMULTANEOUSLY.

F. PANEL/INSTRUMENT CONNECTION HARDWARE AND DESIGN MUST BE CHECKED SEPARATELY. WHEN MULTIPLE BOXES ARE ATTACHED TO THE SUPPORT, ALL BOXES SHALL NOT EXCEED MAX PANEL WEIGHT. BOXES MUST BE SYMMETRICALLY PLACED ON STAND.

G. REFER TO HILTI INSTRUCTION FOR USE SHEET FOR REQUIRED INSTALLATION INFORMATION. THREAD FORMING BOLT MAY BE INSTALLED USING A TORQUE WRENCH OR SI-AT-A22 PER INSTRUCTION FOR USE.

H. SEE BOM FOR KWIK BOLT-TZ2 ANCHOR BOLT. FOR 1/2" DIA. HILTI KWIK BOLT-TZ2 USE MIN. 3-1/4" EFFECTIVE EMBEDMENT. FOR 5/8" DIA. KWIK BOLT-TZ2 USE 3-1/4" MIN. EFFECTIVE EMBEDMENT. INSTALL ANCHOR PER ESR-4266 AND HILTI'S INSTRUCTIONS FOR USE AND RECOMMENDATIONS. MIN. CONCRETE COMPRESSIVE STRENGTH F'C=3000 PSI, MIN. CONCRETE EDGE DISTANCE = 6", AND MIN. CONCRETE THICKNESS = 6".

I. CONCRETE ANCHORS NOTED IN THE BILL OF MATERIAL ARE DESIGNED ONLY FOR WIND LATERAL LOADING. ENGINEER OF RECORD TO VERIFY ADEQUACY OF ANCHOR WHEN TYPICAL IS BEING USED FOR SEISMIC LATERAL LOADING.

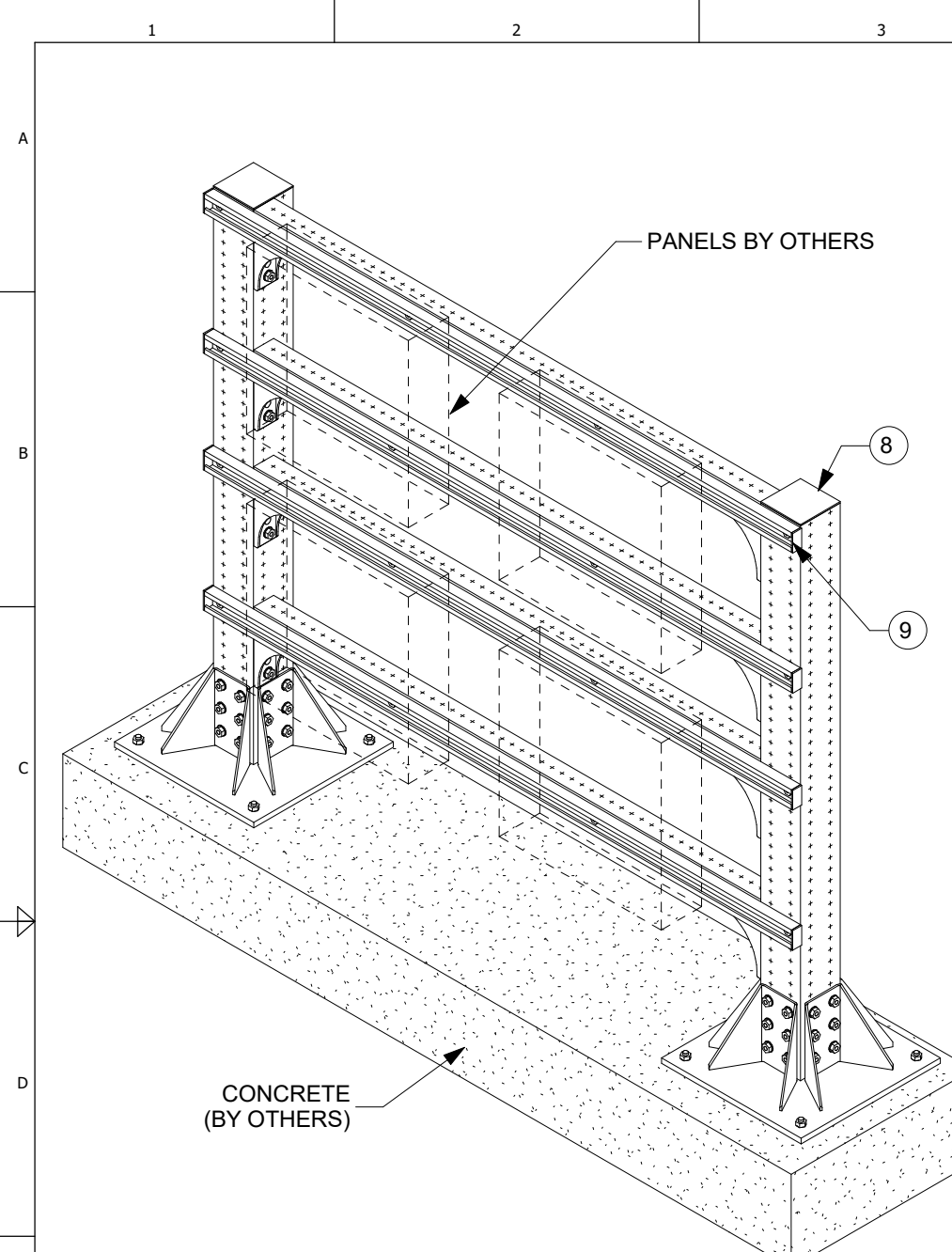
REVISION HISTORY		
NO.	DESCRIPTION:	DATE:
B	NOTE MODIFICATIONS	01/29/2021
C	ISSUE FOR BU USE	07/06/2021
D	ANCHOR NOTE AND BOM MODIFICATION FOR ANCHOR	03/22/2022

PROJECT NAME: **PANEL STAND MT80 C 002**

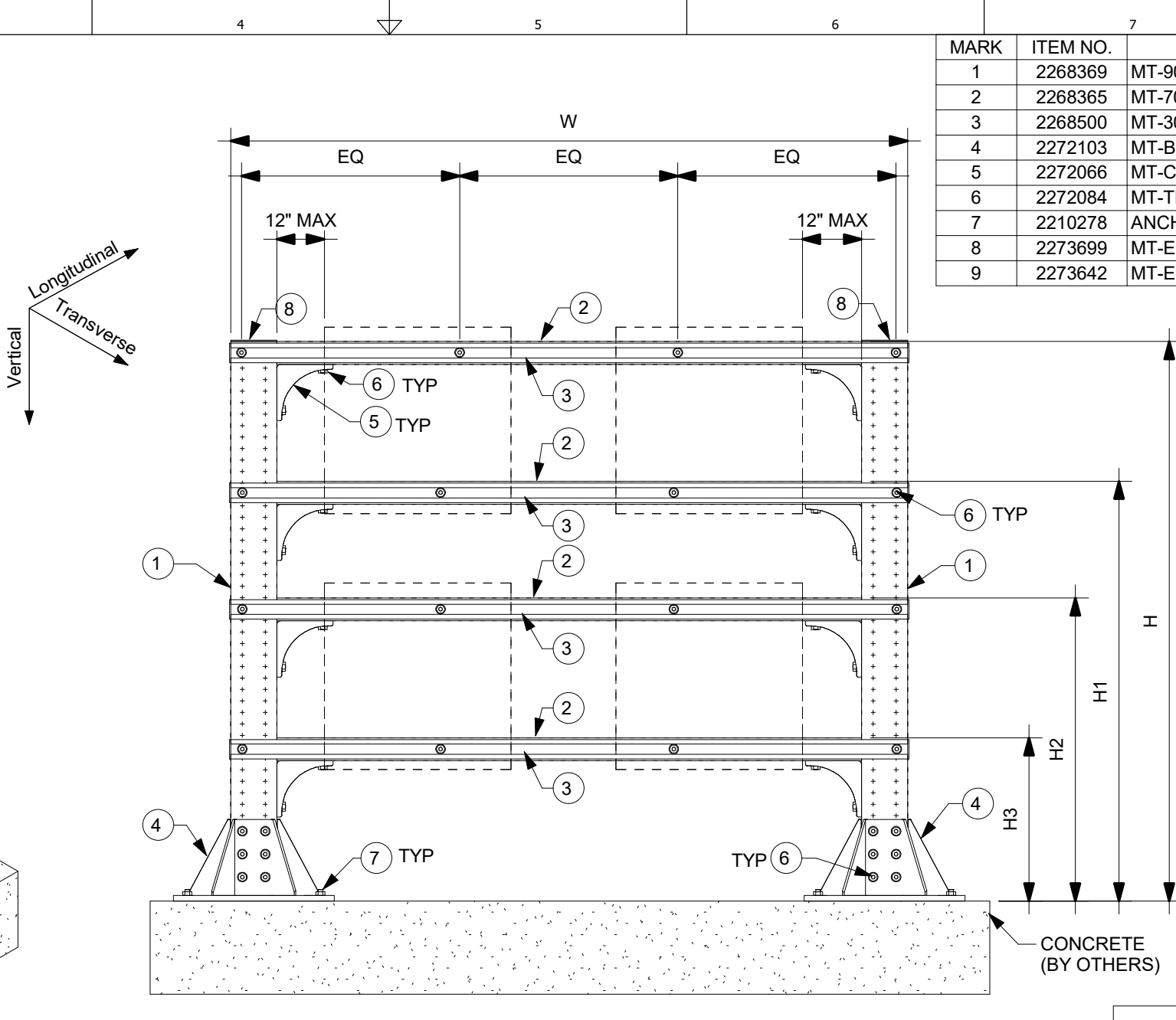
PROJECT DESCRIPTION: **PANEL STAND MT80 C 002**

HILTI

DRAWN:	CHECKED:	DESIGNED:	REVIEWED:
GAB	IDP	JDR	BVD
PAPER SIZE:	PROJECT NUMBER:		
ANSI B	PROJECT	JOB	SHEET
	- PS8C2 -		1

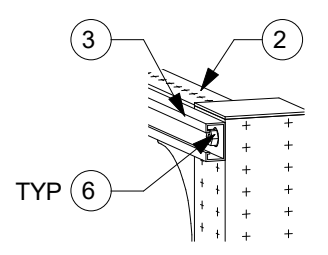


1 ISOMETRIC
N.T.S.



2 ELEVATION
N.T.S.

MARK	ITEM NO.	DESCRIPTION	QTY.
1	2268369	MT-90 OC	2
2	2268365	MT-70 OC	4
3	2268500	MT-30 OC	4
4	2272103	MT-B-GL-O4 OC	2
5	2272066	MT-C-GS OC	8
6	2272084	MT-TFB OC	96
7	2210278	ANCHOR KB-TZ2 5/8" x 4-3/4" SS304	8
8	2273699	MT-EC-90	2
9	2273642	MT-EC-30	8



3 BOLT DETAIL
N.T.S.

TABLE A	
Max W, in	84
Max H, in	78
Max H1, in	54
Max H2, in	42
Max H3, in	18
Max Panel Weight	300
Transverse	90
Longitudinal	90

ALLOWABLE LOADS, lbs

NOTE(S):

A. THE TYPICAL ELECTRICAL AND INSTRUMENTATION (E&I) DETAIL REPRESENTS A COMMON CONFIGURATION FOR THIS APPLICATION. THE TYPICAL E&I SUPPORT IS LOAD RATED AND DIMENSIONALLY LIMITED BASED ON PANEL/INSTRUMENT LOADS, HILTI PUBLISHED DATA, DESIGN METHODOLOGY AND GENERIC NON-PROJECT SPECIFIC ASSUMPTIONS SET FORTH IN PROFIS MODULAR SUPPORT ENGINEERING SOFTWARE VERSION 1.3. THE ENGINEER OF RECORD SHALL EVALUATE THIS TYPICAL SUPPORT TO DETERMINE ITS SUITABILITY FOR THE ACTUAL PROJECT SPECIFIC DESIGN CRITERIA AND REQUIREMENTS.

B. THE EVALUATION OF EXISTING STRUCTURE IS OUTSIDE OF E&I TYPICAL DESIGN SCOPE AND SHALL BE PERFORMED BY THE ENGINEER OF RECORD.

C. TYPICAL SUPPORT DESIGN IS BASED ON INTERNATIONAL BUILDING CODE (IBC) 2018. SEE TABLE-A FOR ALLOWABLE STRENGTH DESIGN LOADS (STATIC U.N.O.); GOVERNING LATERAL LOADS NOTED IN THE ALLOWABLE LOAD TABLE IS MAXIMUM OF 30% OF DEAD LOAD.

D. ALL LOADS ASSUMED TO ACT AT THE 6" FROM FACE OF MT OFF THE HORIZONTAL SUPPORT BEAMS. THE EVALUATION OF A CENTER OF GRAVITY GREATER THAN 6" SHALL BE PERFORMED BY THE ENGINEER OF RECORD.

E. MAXIMUM ALLOWABLE LOADS NOTED IN TABLE-A ARE BASED ON THE GOVERNING COMBINATION OF VERTICAL LOAD WITH TRANSVERSE LOAD OR VERTICAL LOAD WITH LONGITUDINAL LOAD. A SEPARATE ANALYSIS MUST BE PERFORMED WHEN TRANSVERSE AND LONGITUDINAL LOAD OCCURS SIMULTANEOUSLY.

F. PANEL/INSTRUMENT CONNECTION HARDWARE AND DESIGN MUST BE CHECKED SEPARATELY. WHEN MULTIPLE BOXES ARE ATTACHED TO THE SUPPORT, ALL BOXES SHALL NOT EXCEED MAX PANEL WEIGHT. BOXES MUST BE SYMMETRICALLY PLACED ON STAND.

G. REFER TO HILTI INSTRUCTION FOR USE SHEET FOR REQUIRED INSTALLATION INFORMATION. THREAD FORMING BOLT MAY BE INSTALLED USING A TORQUE WRENCH OR SI-AT-A22 PER INSTRUCTION FOR USE.

H. SEE BOM FOR KWIK BOLT-TZ2 ANCHOR BOLT. FOR 1/2" DIA. HILTI KWIK BOLT-TZ2 USE MIN. 3-1/4" EFFECTIVE EMBEDMENT. FOR 5/8" DIA. KWIK BOLT-TZ2 USE 3-1/4" MIN. EFFECTIVE EMBEDMENT. INSTALL ANCHOR PER ESR-4266 AND HILTI'S INSTRUCTIONS FOR USE AND RECOMMENDATIONS. MIN. CONCRETE COMPRESSIVE STRENGTH F'C=3000 PSI, MIN. CONCRETE EDGE DISTANCE = 6", AND MIN. CONCRETE THICKNESS = 6".

I. CONCRETE ANCHORS NOTED IN THE BILL OF MATERIAL ARE DESIGNED ONLY FOR WIND LATERAL LOADING. ENGINEER OF RECORD TO VERIFY ADEQUACY OF ANCHOR WHEN TYPICAL IS BEING USED FOR SEISMIC LATERAL LOADING.

REVISION HISTORY		
NO.	DESCRIPTION:	DATE:
B	NOTE MODIFICATIONS	01/29/2021
C	ISSUE FOR BU USE	07/06/2021
D	ANCHOR NOTE AND BOM MODIFICATION FOR ANCHOR	03/22/2022

PROJECT NAME:
PANEL STAND MT90 C 001

PROJECT DESCRIPTION:
PANEL STAND MT90 C 001

HILTI

DRAWN:	CHECKED:	DESIGNED:	REVIEWED:
GAB	IDP	JDR	BVD
PAPER SIZE:	PROJECT NUMBER:		
ANSI B	PROJECT	JOB	SHEET
	- PS9C1 -		1

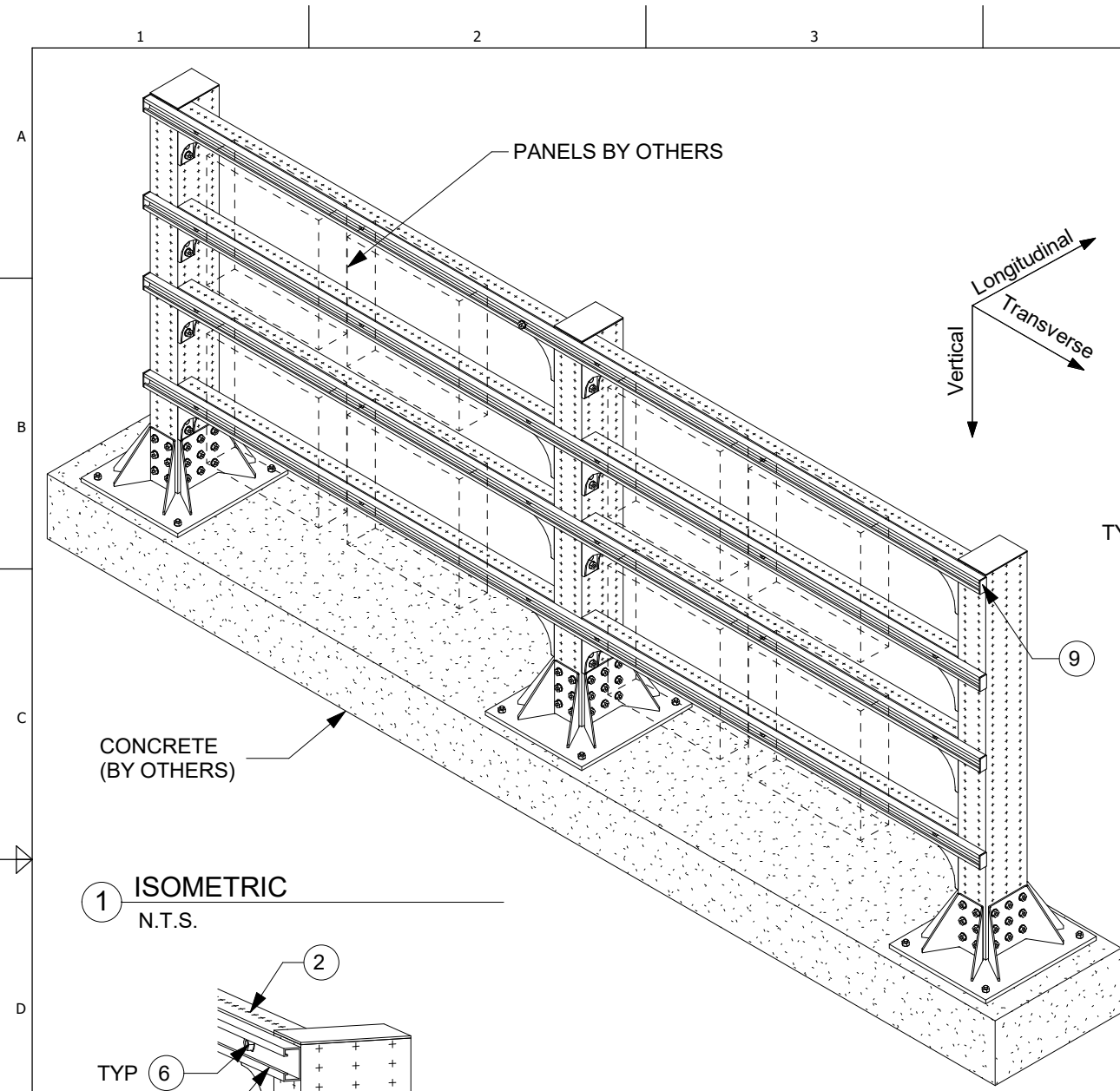
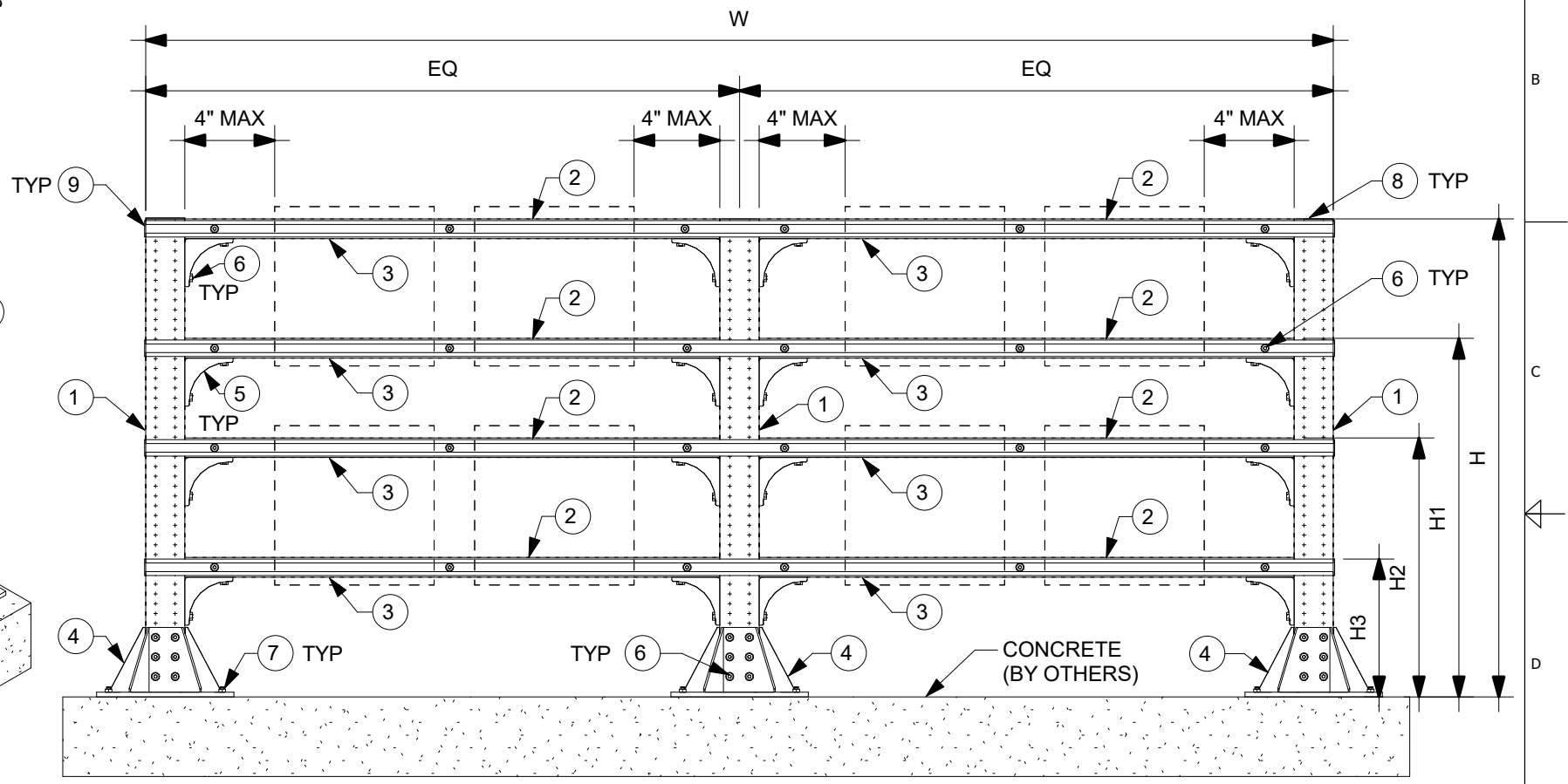


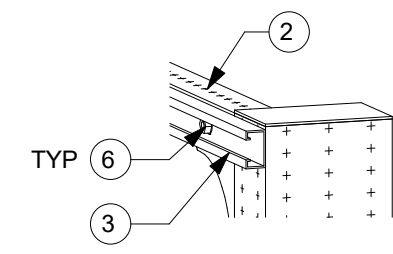
TABLE A	
Max W, in	120
Max H, in	78
Max H1, in	54
Max H2, in	42
Max H3, in	18
Max Panel Weight	250
Transverse	75
Longitudinal	75

MARK	ITEM NO.	DESCRIPTION	QTY.
1	2268491	MT-100 OC	3
2	2268365	MT-70 OC	8
3	2268500	MT-30 OC	4
4	2272104	MT-B-GXL-O4 OC	3
5	2272066	MT-C-GS OC	16
6	2272084	MT-TFB OC	178
7	2210278	ANCHOR KB-TZ2 5/8" x 4-3/4" SS304	12
8	2273700	MT-EC-100	3
9	2273642	MT-EC-30	8

ALLOWABLE LOADS, lbs



1 ISOMETRIC
N.T.S.



3 BOLT DETAIL

2 ELEVATION
N.T.S.

NOTE(S):

A. THE TYPICAL ELECTRICAL AND INSTRUMENTATION (E&I) DETAIL REPRESENTS A COMMON CONFIGURATION FOR THIS APPLICATION. THE TYPICAL E&I SUPPORT IS LOAD RATED AND DIMENSIONALLY LIMITED BASED ON PANEL/INSTRUMENT LOADS, HILTI PUBLISHED DATA, DESIGN METHODOLOGY AND GENERIC NON-PROJECT SPECIFIC ASSUMPTIONS SET FORTH IN PROFIS MODULAR SUPPORT ENGINEERING SOFTWARE VERSION 1.3. THE ENGINEER OF RECORD SHALL EVALUATE THIS TYPICAL SUPPORT TO DETERMINE ITS SUITABILITY FOR THE ACTUAL PROJECT SPECIFIC DESIGN CRITERIA AND REQUIREMENTS.

B. THE EVALUATION OF EXISTING STRUCTURE IS OUTSIDE OF E&I TYPICAL DESIGN SCOPE AND SHALL BE PERFORMED BY THE ENGINEER OF RECORD.

C. TYPICAL SUPPORT DESIGN IS BASED ON INTERNATIONAL BUILDING CODE (IBC) 2018. SEE TABLE-A FOR ALLOWABLE STRENGTH DESIGN LOADS (STATIC U.N.O.); GOVERNING LATERAL LOADS NOTED IN THE ALLOWABLE LOAD TABLE IS MAXIMUM OF 30% OF DEAD LOAD.

D. ALL LOADS ASSUMED TO ACT AT THE 6" FROM FACE OF MT OFF THE HORIZONTAL SUPPORT BEAMS. THE EVALUATION OF A CENTER OF GRAVITY GREATER THAN 6" SHALL BE PERFORMED BY THE ENGINEER OF RECORD.

E. MAXIMUM ALLOWABLE LOADS NOTED IN TABLE-A ARE BASED ON THE GOVERNING COMBINATION OF VERTICAL LOAD WITH TRANSVERSE LOAD OR VERTICAL LOAD WITH LONGITUDINAL LOAD. A SEPARATE ANALYSIS MUST BE PERFORMED WHEN TRANSVERSE AND LONGITUDINAL LOAD OCCURS SIMULTANEOUSLY.

F. PANEL/INSTRUMENT CONNECTION HARDWARE AND DESIGN MUST BE CHECKED SEPARATELY. WHEN MULTIPLE BOXES ARE ATTACHED TO THE SUPPORT, ALL BOXES SHALL NOT EXCEED MAX PANEL WEIGHT. BOXES MUST BE SYMMETRICALLY PLACED ON STAND.

G. REFER TO HILTI INSTRUCTION FOR USE SHEET FOR REQUIRED INSTALLATION INFORMATION. THREAD FORMING BOLT MAY BE INSTALLED USING A TORQUE WRENCH OR SI-AT-A22 PER INSTRUCTION FOR USE.

H. SEE BOM FOR KWIK BOLT-TZ2 ANCHOR BOLT. FOR 1/2" DIA. HILTI KWIK BOLT-TZ2 USE MIN. 3-1/4" EFFECTIVE EMBEDMENT. FOR 5/8" DIA. KWIK BOLT-TZ2 USE 3-1/4" MIN. EFFECTIVE EMBEDMENT. INSTALL ANCHOR PER ESR-4266 AND HILTI'S INSTRUCTIONS FOR USE AND RECOMMENDATIONS. MIN. CONCRETE COMPRESSIVE STRENGTH F'C=3000 PSI, MIN. CONCRETE EDGE DISTANCE = 6", AND MIN. CONCRETE THICKNESS = 6".

I. CONCRETE ANCHORS NOTED IN THE BILL OF MATERIAL ARE DESIGNED ONLY FOR WIND LATERAL LOADING. ENGINEER OF RECORD TO VERIFY ADEQUACY OF ANCHOR WHEN TYPICAL IS BEING USED FOR SEISMIC LATERAL LOADING.

All loading and design criteria supplied by customer is assumed accurate. Only the stated Design Assumptions were considered, and must be verified by the responsible Engineer of Record (EOR). The basis of Hilti component and connection design is the published data in the current Hilti Technical Guide, including material and cross-section properties, allowable load values, factors of safety, methods of calculation, and limiting factors. The EOR must verify suitability for any specific application, and the capacity of the supportive structure to receive the shown configuration and associated reaction loads. Modification to components and/or design may alter performance and must be evaluated by the EOR.

REVISION HISTORY		
NO.	DESCRIPTION:	DATE:
B	NOTE MODIFICATIONS	01/29/2021
C	ISSUE FOR BU USE	07/06/2021
D	ANCHOR NOTE AND BOM MODIFICATION FOR ANCHOR	03/22/2022

PROJECT NAME:
PANEL STAND MT100 C 001

PROJECT DESCRIPTION:
PANEL STAND MT100 C 001

DRAWN:	CHECKED:	DESIGNED:	REVIEWED:
GAB	IDP	JDR	BVD
PAPER SIZE:	PROJECT NUMBER:		
ANSI B	PROJECT	JOB	SHEET
	- PS1C1 -		1