

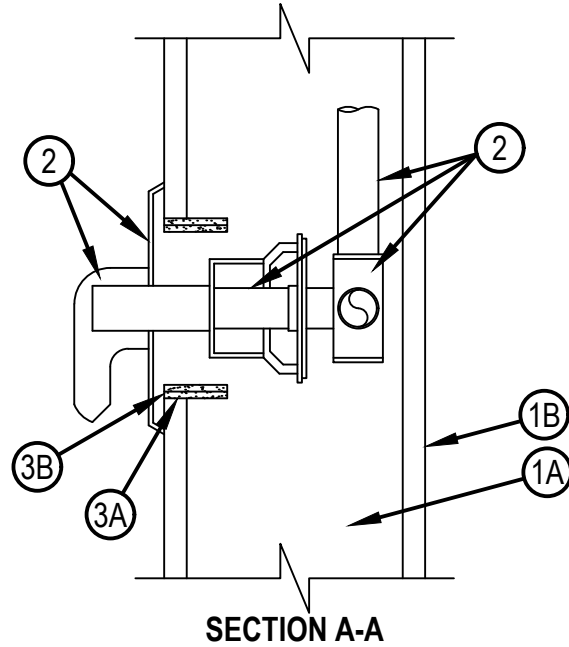
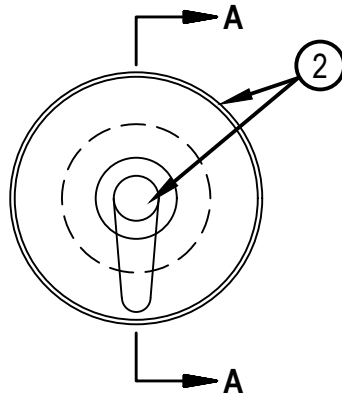


Classified by  
Underwriters Laboratories, Inc.  
to UL 1479 and CAN/ULC-S115

# System No. W-L-7271

WL 7271

ANSI/UL1479 (ASTM E814)	CAN/ULC S115
F Ratings - 1 and 2 Hr (See Item 1)	F Ratings - 1 and 2 Hr (See Item 1)
T Ratings - 1 and 2 Hr (See Item 1)	FT Ratings - 1 and 2 Hr (See Item 1)
	FH Ratings - 1 and 2 Hr (See Item 1)
	FTH Ratings - 1 and 2 Hr (See Item 1)



1. Wall Assembly — The 1 or 2 hr fire rated framed gypsum board wall assembly shall be constructed of the materials and in the manner specified in the individual U300, U400, V400, or W400 Series Wall and Partition Designs in the UL Fire Resistance Directory and shall include the following construction features:

- A. Studs — Wall framing shall consist of steel channel studs or wood studs. Steel studs to be min 3-5/8 in. (92 mm) wide and spaced max 24 in. (610 mm) OC. Wood studs to be min 2 by 4 in. (51 by 102 mm) and spaced max 16 in. (406 mm) OC.
- B. Gypsum Board\* — One or two layers of min 5/8 in. (16 mm) thick gypsum board as specified in the individual Wall and Partition Design, for 1 and 2 hr rated wall assemblies, respectively. The maximum diameter of the opening is 5 in. (127 mm) on penetrated side of wall. The hourly F, T, FT, FH and FTH Ratings are equal to the hourly rating of the wall assembly.

2. Shower Valve — Single-handed shower valve assembly including stainless steel, chrome-plated or nickel-plated steel handle and escutcheon plate and brass mixing valve. Shower valve to be connected to maximum three nom 1/2 in. (13 mm) diam (or smaller) copper or iron supply pipes/tubes. Supply pipes/tubes to be rigidly supported within the wall cavity. Shower valve to be centered within the wall opening at one side of wall with a maximum annular space of 1-7/8 in. (48 mm) between edge of opening and the penetrating valve. Escutcheon plate to be minimum 7 in. (178 mm) diam and lap min 1 in. (25 mm) beyond periphery of opening.

3. Firestop System — The firestop system shall consist of the following:

- A. Fill, Void or Cavity Material\* — Sealant — Min 3/8 in. (9.5 mm) bead of sealant applied to cut edge of gypsum board around periphery of opening prior to installing wrap strip (Item 3B).  
HILTI CONSTRUCTION CHEMICALS, DIV OF HILTI INC — CFS-S SIL GG Firestop Silicone Sealant
- B. Fill, Void or Cavity Material\* — Wrap Strip — Two layers of nom 3/16 in. (5 mm) thick by 1 in. (25 mm) wide intumescent wrap strip continuously wrapped around inside of opening in gypsum board with ends butted and held in place with tape. Wrap strip to be installed flush with penetrated surface of wall and held in place with sealant (Item 3A).  
HILTI CONSTRUCTION CHEMICALS, DIV OF HILTI INC — CP 648E Wrap Strip

\* Indicates such products shall bear the UL or cUL Certification Mark for jurisdictions employing the UL or cUL Certification (such as Canada), respectively.



Reproduced by HILTI, Inc. Courtesy of  
Underwriters Laboratories, Inc.  
August 28, 2018