

UL/cUL SYSTEM NO. F-A-2285

# PLASTIC PIPE THROUGH CONCRETE FLOOR ASSEMBLY

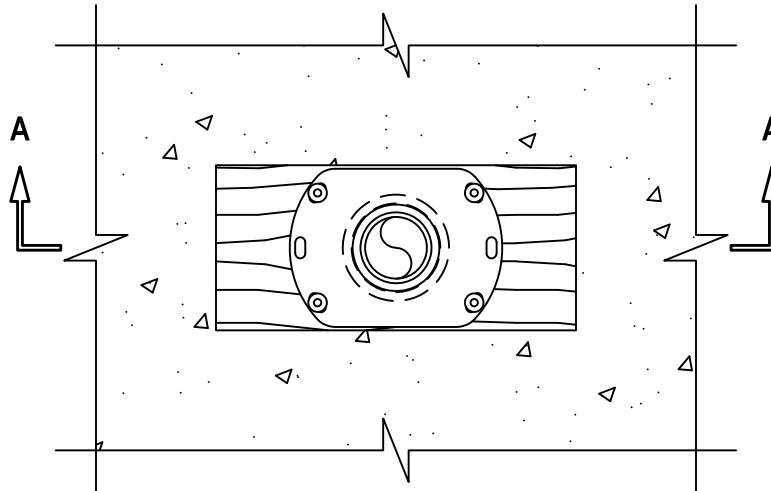
F-RATING = 3-HR.

T-RATING = 0-HR. OR 3-HR. (SEE NOTE NO. 2 BELOW)

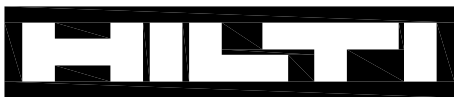
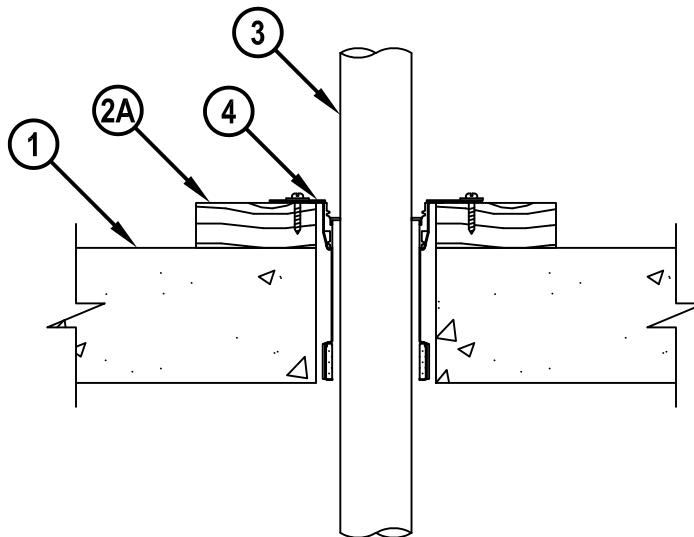
NOTE : TESTED TO A 2.5 Pa PRESSURE DIFFERENTIAL

FA2285a.032118

## TOP VIEW



## SECTION A-A



Hilti Firestop Systems

HILTI, Inc.  
Plano, Texas USA (800) 879-8000

Sheet 1 of 2

Scale 5/32" = 1"

Date Mar. 21, 2018

Drawing No.

**FA  
2285a**

*Saving Lives through Innovation and Education*

**PLASTIC PIPE THROUGH CONCRETE FLOOR ASSEMBLY**

F-RATING = 3-HR.

T-RATING = 0-HR. OR 3-HR. (SEE NOTE NO. 2 BELOW)

NOTE : TESTED TO A 2.5 Pa PRESSURE DIFFERENTIAL

FA2285a.032118

1. CONCRETE FLOOR ASSEMBLY (3-HR. FIRE-RATING) :
  - A. LIGHTWEIGHT OR NORMAL WEIGHT CONCRETE FLOOR (MINIMUM 4-1/2" TO MAXIMUM 10-1/2" THICK).
  - B. ANY UL/cUL CLASSIFIED PRECAST (HOLLOW-CORE) CONCRETE FLOOR (MINIMUM 6" TO MAXIMUM 11" THICK).
2. GYPSUM CHASE WALL ASSEMBLY (RATED OR NON-RATED) TO INCLUDE THE FOLLOWING CONSTRUCTION FEATURES :
  - A. MINIMUM 2" x 6" LUMBER SOLE PLATE SECURELY ATTACHED TO CONCRETE FLOOR.
  - B. [NOT SHOWN] NOMINAL 2" x 6" LUMBER STUDS.
  - C. [NOT SHOWN] NOMINAL 1/2" THICK GYPSUM WALLBOARD.
3. PENETRATING ITEM TO BE ONE OF THE FOLLOWING :
  - A. MAXIMUM 2" NOMINAL DIAMETER PVC PLASTIC PIPE (CELLULAR OR SOLID CORE).
  - B. MAXIMUM 2" NOMINAL DIAMETER ABS PLASTIC PIPE (CELLULAR OR SOLID CORE).
  - C. MAXIMUM 2" NOMINAL DIAMETER CPVC PLASTIC PIPE.
  - D. MAXIMUM 2" NOMINAL DIAMETER FRPP PLASTIC PIPE.
4. HILTI CFS-DID FIRESTOP DROP-IN DEVICE INSERTED INTO OPENING (SEE TABLE BELOW) AND SECURED TO TOP OF LUMBER SOLE PLATE WITH FOUR MINIMUM 1" (25 mm) LONG TYPE W STEEL SCREWS IN CONJUNCTION WITH MINIMUM 1" (25 mm) DIAMETER STEEL WASHERS, TWO FASTENERS AT EACH SIDE OF DEVICE. FOR HOLLOW-CORE FLOORS, HILTI CFS-DID DEVICE MAY EXTEND A MAXIMUM 1/2" BELOW BOTTOM OF FLOOR OR BE RECESSED A MAXIMUM 1/2" FROM BOTTOM OF HOLLOW-CORE CONCRETE FLOOR.

CORE HOLE DIAMETER	PRODUCT DESCRIPTION	NOMINAL PIPE DIAMETER	MIN-MAX CONCRETE FLOOR THICKNESS
4"	CFS-DID 2" C	2" (OR SMALLER)+	4-1/2" TO 10-1/2"
4"	CFS-DID 2" HC8	2" (OR SMALLER)+	6" TO 7"
4"	CFS-DID 2" HC10	2" (OR SMALLER)+	8" TO 9"
4"	CFS-DID 2" HC12	2" (OR SMALLER)+	10" TO 11"

+ FOR PIPE SMALLER THAN NOMINAL 2" DIAMETER, AN ADAPTER AND HILTI IPS OR CPS TOP SEAL PLUG MUST BE USED IN CONJUNCTION WITH THE CFS-DID 2" C, HC8, HC10, AND HC12 DEVICES.

NOTES : 1. CLOSED OR VENTED PIPING SYSTEM (PVC, ABS, FRPP = SCH 40; CPVC = 13.5).  
 2. T-RATING ONLY APPLIES WHEN PVC PIPE (ITEM 3A ABOVE) IS USED.



HILTI, Inc.  
 Plano, Texas USA (800) 879-8000

Sheet	2 of 2
Scale	-
Date	Mar. 21, 2018

Drawing No.  
**FA 2285a**