

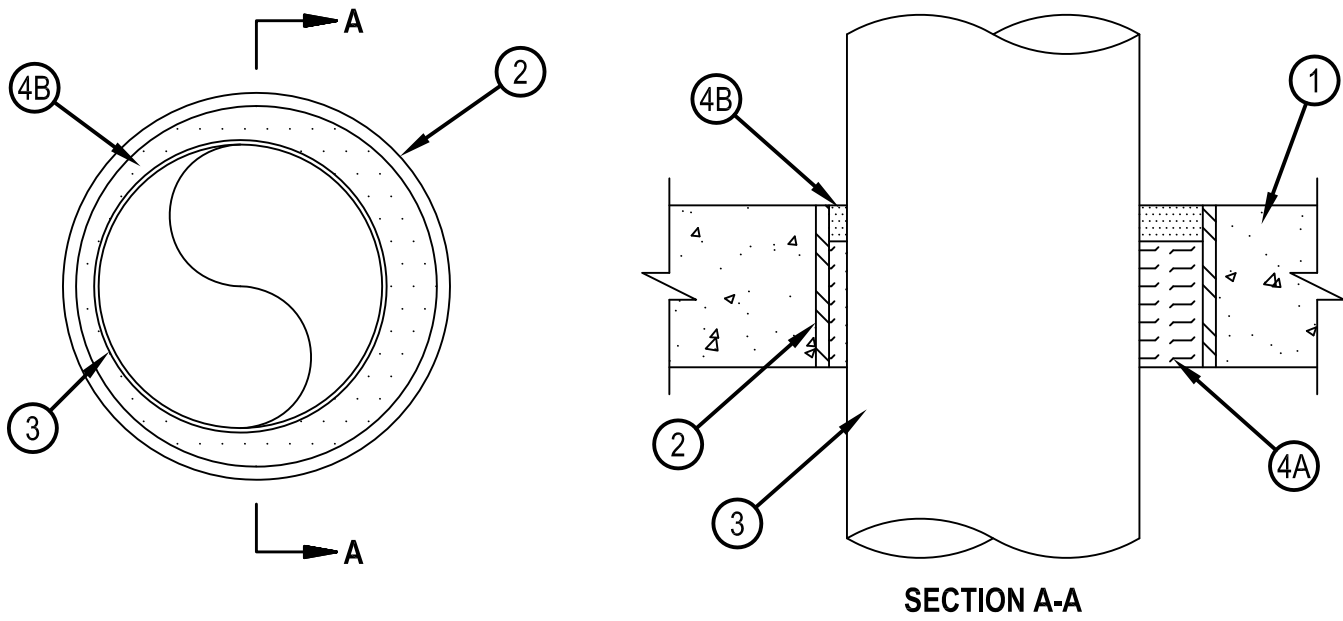


Classified by
Underwriters Laboratories, Inc.
to UL 1479 and CAN/ULC-S115

System No. C-AJ-1342

CAJ 1342

ANSI/UL1479 (ASTM E814)	CAN/ULC S115
F Rating — 2 Hr	F Rating — 2 Hr
T Rating — 0 Hr	FT Rating — 0 Hr
L Rating At Ambient — Less Than 1 CFM/sq ft	FH Rating — 2 Hr
L Rating At 400 F — 4 CFM/sq ft	FTH Rating — 0 Hr
W Rating — Class 1 (See Item 4)	L Rating At Ambient — Less Than 1 CFM/sq ft
	L Rating At 400 F — 4 CFM/sq ft



1. Floor or Wall Assembly — Min 4-1/2 in. (114 mm) thick reinforced lightweight or normal weight (100-150 pcf or 1600-2400 kg/m³) concrete. Wall may also be constructed of any UL Classified Concrete Blocks*. Max diam of opening is 10 in. (254 mm).
See Concrete Blocks (CAZT) category in the Fire Resistance Directory for names of manufacturers.
2. Steel Sleeve — (Optional)—Nom 10 in. (254 mm) diameter (or smaller) Schedule 40 steel pipe cast or grouted into the floor or wall assembly, flush with floor or wall surfaces.
3. Aluminum Pipe — Nom 8 in. (203 mm) diam (or smaller) with a wall thickness of 0.060 in. (1.5 mm) (or heavier). One pipe to be installed either concentrically or eccentrically within the firestop system. The annular space to be min 1/2 in. (13 mm) to max 1-1/2 in. (38 mm). Pipe to be rigidly supported on both sides of floor or wall assembly.
4. Firestop System — The firestop system shall consist of the following:
 - A. Packing Material — Min 3-1/2 in. (89 mm) thickness of 4 pcf (64 kg/m³) mineral wool batt insulation tightly packed into the opening as a permanent form. Packing material to be recessed from top surface of floor and both surfaces of wall to accommodate the required thickness of fill material.
 - B. Fill, Void or Cavity Materials* — Sealant — Min 1 in. (25 mm) thickness of fill material applied within the annulus, flush with top surface of floor or with both surfaces of wall. W Rating applies only when FS-ONE MAX Intumescent Sealant is used. For the W Rating, an additional film of sealant shall be applied over the sleeve (when used) lapping at least 1/2 in. (13 mm) onto top surface of floor or both surfaces of wall.
HILTI CONSTRUCTION CHEMICALS, DIV OF HILTI INC — FS-ONE Sealant or FS-ONE MAX Intumescent Sealant

* Indicates such products shall bear the UL or cUL Certification Mark for jurisdictions employing the UL or cUL Certification (such as Canada), respectively.



Hilti Firestop Systems

Reproduced by HILTI, Inc. Courtesy of
Underwriters Laboratories, Inc.
April 15, 2015