

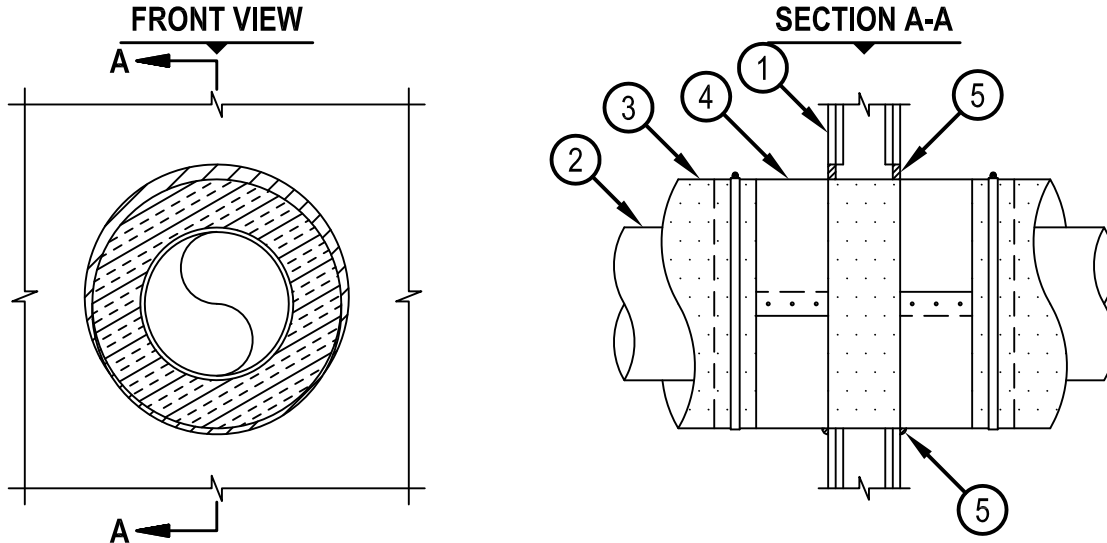


Classified by
Underwriters Laboratories, Inc.
to UL 1479 and CAN/ULC-S115

System No. W-L-5292

ANSI/UL1479 (ASTM E814)	CAN/ULC S115
F Rating — 1 and 2 Hr (See Item 1)	F Rating — 1 and 2 Hr (See Item 1)
T Rating — 1 and 2 Hr (See Item 1)	FT Rating — 1 and 2 Hr (See Item 1)
	FH Rating — 1 and 2 Hr (See Item 1)
	FTH Rating — 1 and 2 Hr (See Item 1)

WL 5292



1. Wall Assembly — The 1 or 2 hr fire-rated gypsum wallboard/stud wall assembly shall be constructed of the materials and in the manner specified in the individual U300, U400, V400 or W400 Series Wall and Partition Designs in the UL Fire Resistance Directory and shall include the following construction features:

A. Studs — Wall framing may consist of either wood studs or steel channel studs. Wood studs to consist of nom 2 by 4 in. (51 by 102 mm) lumber spaced 16 in. (406 mm) OC. Steel studs to be min 3-5/8 in. (92 mm) wide and spaced max 24 in. (610 mm) OC.

B. Gypsum Board* — Thickness, type, number of layers and fasteners as specified in the individual Wall and Partition Design. Max diam of opening is 22-1/2 in. (572 mm).

The hourly F and FH Ratings of the firestop system are equal to the hourly fire rating of the wall assembly in which it is installed. The hourly T, FT and FTH Ratings are 1 hr and 2 hr for 1 and 2 hr rated assemblies, respectively.

2. Through Penetrants — One metallic pipe to be installed either concentrically or eccentrically within the firestop system. Pipe to be rigidly supported on both sides of wall assembly. The following types and sizes of metallic pipes, conduits or tubing may be used:

A. Steel Pipe — Nom 12 in. (305 mm) diam (or smaller) Schedule 40 (or heavier) steel pipe.

B. Iron Pipe — Nom 12 in. (305 mm) diam (or smaller) cast or ductile iron pipe.



Hilti Firestop Systems

Reproduced by HILTI, Inc. Courtesy of
Underwriters Laboratories, Inc.

January 26, 2015

System No. W-L-5292

WL 5292

3. Pipe Covering — Max 4 in. (102 mm) thick hollow cylindrical Calcium Silicate pipe covering. Pipe insulation to be secured to pipe with metal bands as per manufacturer's installation instructions. The annular space between the insulated pipe and the edge of the through opening shall be min 0 in. (point contact) to a max 1-1/4 in. (32 mm).

See Pipe and Equipment Covering — Materials (BRGU) category in the Building Materials Directory for names of manufacturers. Any pipe covering material meeting the above specifications and bearing the UL Classification Mark with a Flame Spread Index of 25 or less and a Smoke Developed Index of 50 or less may be used.

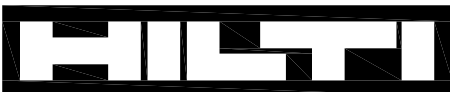
4. Metal Jacket — Min 6 in. (152 mm) long jacket formed of min 0.010 in. thick steel sheet cut to wrap tightly around the pipe insulation with a min 2 in. (51 mm) lap. Jacket secured with three No. 8 sheet metal screws or steel banding clamps. Jacket to be installed with abutting surface of sealant (Item 5) on both surfaces of wall.

5. Fill, Void or Cavity Material* — Sealant — Min 5/8 in. (16 mm) thickness of fill material applied within the annulus, flush with both surfaces of wall. At the point contact location between pipe covering and wallboard, a min 1/2 in. (13 mm) diam bead of fill material shall be applied at the wallboard/pipe covering interface on both sides of wall.

HILTI CONSTRUCTION CHEMICALS, DIV OF HILTI INC — FS-ONE Sealant or FS-ONE MAX Intumescent Sealant

* Indicates such products shall bear the UL or cUL Certification Mark for jurisdictions employing the UL or cUL Certification (such as Canada), respectively.

+Bearing the UL Recognized Component Mark



Hilti Firestop Systems

Reproduced by HILTI, Inc. Courtesy of
Underwriters Laboratories, Inc.
January 26, 2015

Page: 2 of 2