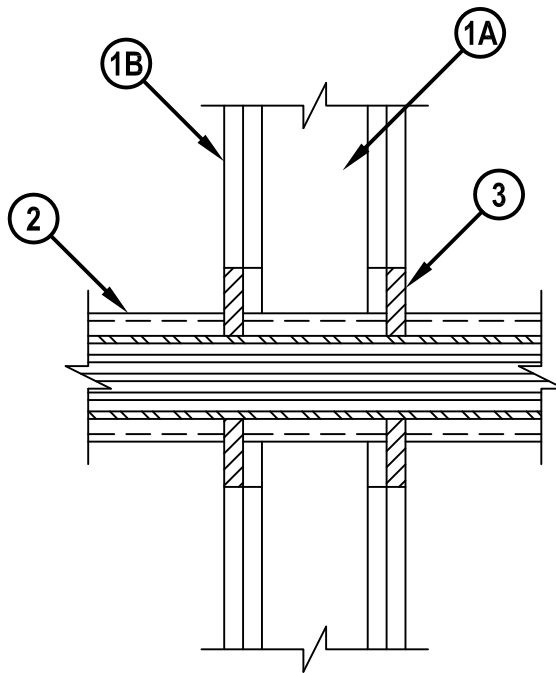
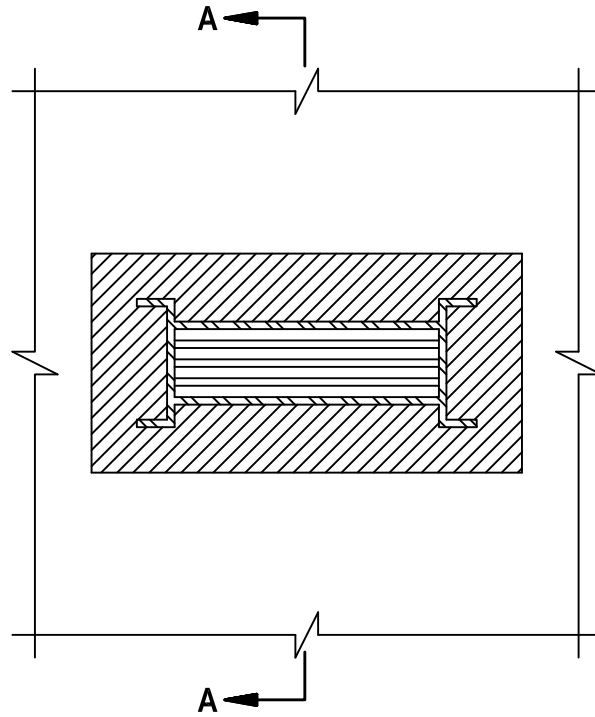




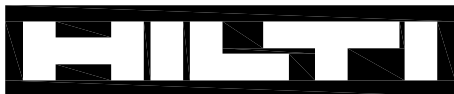
System No. W-L-6019

WL 6019

Classified by
Underwriters Laboratories, Inc.
to UL 1479 and CAN/ULC-S115



SECTION A-A



Hilti Firestop Systems

Reproduced by HILTI, Inc. Courtesy of
Underwriters Laboratories, Inc.
January 26, 2015

System No. W-L-6019

WL 6019

ANSI/UL1479 (ASTM E814)	CAN/ULC S115
F Ratings — 1 and 2 Hr (See Item 1)	F Ratings — 1 and 2 Hr (See Item 1)
T Rating —1/4 Hr	FT Rating —1/4 Hr
	FH Ratings — 1 and 2 Hr (See Item 1)
	FTH Rating —1/4 Hr

1. Wall Assembly — The 1 and 2 hr fire-rated gypsum wallboard/stud wall assembly shall be constructed of the materials and in the manner described in the individual U300, U400, V400 or W400 Series Wall or Partition Design in the UL Fire Resistance Directory and shall include the following construction features:

A. Studs — Wall framing may consist of either wood studs or steel channel studs. Wood studs to consist of nom 2 by 4 in. (51 by 102 mm) lumber spaced 16 in. (406 mm) OC. Steel studs to be min 3-5/8 in. (92 mm) wide and spaced max 24 in. (610 mm) OC.

B. Gypsum Board* — 5/8 in. (16 mm) thick, 4 ft. (1.22 m) wide with square or tapered edges. The gypsum wallboard type, thickness, number of layers, fastener type and sheet orientation shall be as specified in the individual U300, U400, V400 or W400 Series Design in the UL Fire Resistance Directory. Cutout in gypsum wallboard to accomodate busway (Item 2) to be 1-1/2 in. (38 mm) larger than outside dimensions of busway. Max area of opening is 73.3 sq. in. (473 cm²) with max dimensions 12-3/4 in. (324 mm) wide by 5-3/4 in. (146 mm) high.

The hourly F and FH Ratings of the firestop system are equal to the hourly fire-rating of the wall assembly in which it is installed.

2. Busway+ — Nom 11-1/4 in. (286 mm) wide (or smaller) by 4-1/4 in. (108 mm) deep "I" shaped aluminum bars rated for 600 V, 4000 A or copper bars rated for 600 V, 5000 A. One busway to be installed within the opening. The annular space between the flanges of the busway and the periphery of the opening shall be a min of 1/4 in. (6 mm) to a max of 1-1/4 in. (32 mm). Busway to be rigidly supported on both sides of wall assembly. The busway shall bear the UL Listing Mark and shall be installed in accordance with all provisions of Article 364 of the National Electrical Code, NFPA 70.

3. Fill, Void or Cavity Material* — Sealant — Min 5/8 in. (16 mm) thickness of fill material applied within the annulus, flush with both surfaces of wall.

HILTI CONSTRUCTION CHEMICALS, DIV OF HILTI INC — FS-ONE Intumescent Firestop Sealant or FS-ONE MAX Intumescent Sealant

* Indicates such products shall bear the UL or cUL Certification Mark for jurisdictions employing the UL or cUL Certification (such as Canada), respectively.



Hilti Firestop Systems

Reproduced by HILTI, Inc. Courtesy of
Underwriters Laboratories, Inc.
January 26, 2015