

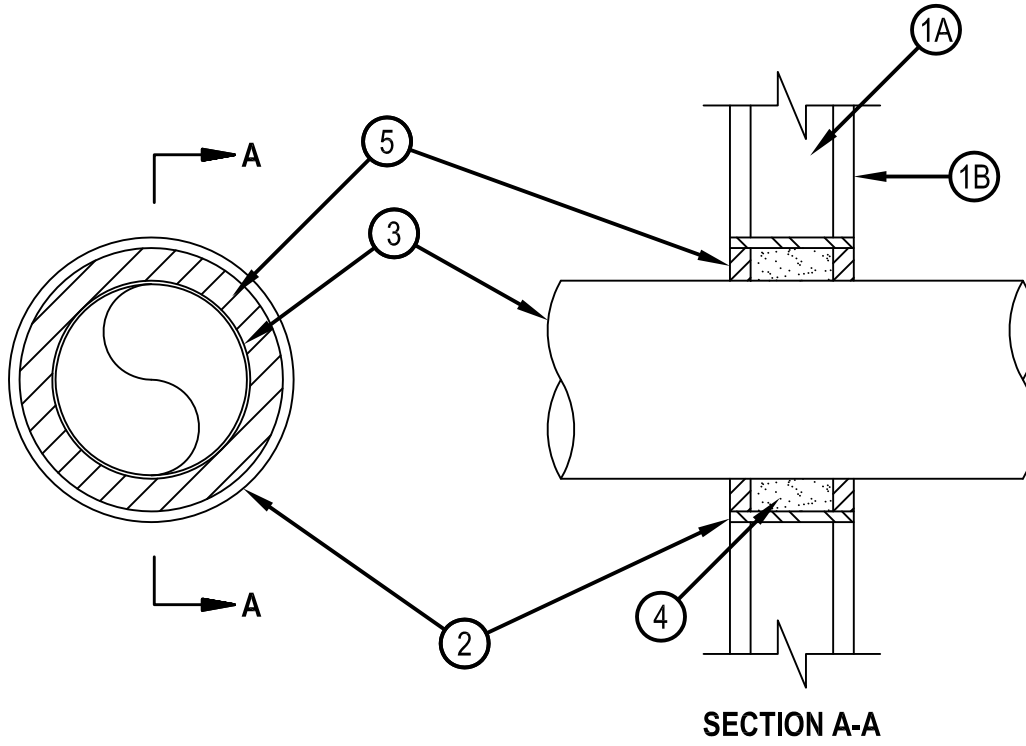


Classified by
Underwriters Laboratories, Inc.
to UL 1479 and CAN/ULC-S115

System No. W-L-7017

ANSI/UL1479 (ASTM E814)	CAN/ULC S115
F Rating — 1 Hr	F Rating — 1 Hr
T Rating — 0 Hr	FT Rating — 0 Hr
	FH Rating — 1 Hr
	FTH Rating — 0 Hr

WL 7017



1. Wall Assembly — The fire-rated gypsum wallboard/stud wall assembly shall be constructed of the materials and in the manner described in the individual U300, U400, V400 or W400 Series Wall and Partition Designs in the UL Fire Resistance Directory and shall include the following construction features:

A. Studs — Wall framing may consist of either wood studs or steel channel studs. Wood studs to consist of nom 2 by 4 in. (51 by 102 mm) lumber spaced 16 in. (406 mm) OC. Steel studs to be min 2-1/2 in. (64 mm) wide and spaced max 24 in. (610 mm) OC.

B. Gypsum Board* — One layer of nom 5/8 in. (16 mm) thick gypsum board, as specified in the individual Wall and Partition Design. Max diam of opening is 8-5/8 in. (219 mm).

2. Metallic Sleeve — Nom 8 in. (203 mm) diam (or smaller) Schedule 40 (or heavier) steel sleeve cast into wall assembly with joint compound and installed flush with wall surfaces.

3. Air Duct — Nom 6 in. (152 mm) diam (or smaller) prefabricated No. 28 MSG galv sheet metal duct. A min 1/2 in. (13 mm) to max 1-1/2 in. (38 mm) annular space is required within the firestop system. Duct to be rigidly supported on both sides of wall assembly.

4. Forming Material* — Foamed plastic forming material foamed into opening as a permanent form. Forming material to be recessed from both surfaces of wall as required to accommodate the required thickness of fill material.

HILTI CONSTRUCTION CHEMICALS, DIV OF HILTI INC — CF812 or CF-AS CJP Foam Sealant

5. Fill, Void or Cavity Material* — Min 5/8 in. (16 mm) thickness of fill material applied within annulus, flush with both surfaces of wall.

HILTI CONSTRUCTION CHEMICALS, DIV OF HILTI INC — FS-ONE Sealant or FS-ONE MAX Intumescent Sealant

* Indicates such products shall bear the UL or cUL Certification Mark for jurisdictions employing the UL or cUL Certification (such as Canada), respectively.



Hilti Firestop Systems

Reproduced by HILTI, Inc. Courtesy of
Underwriters Laboratories, Inc.

January 26, 2015