

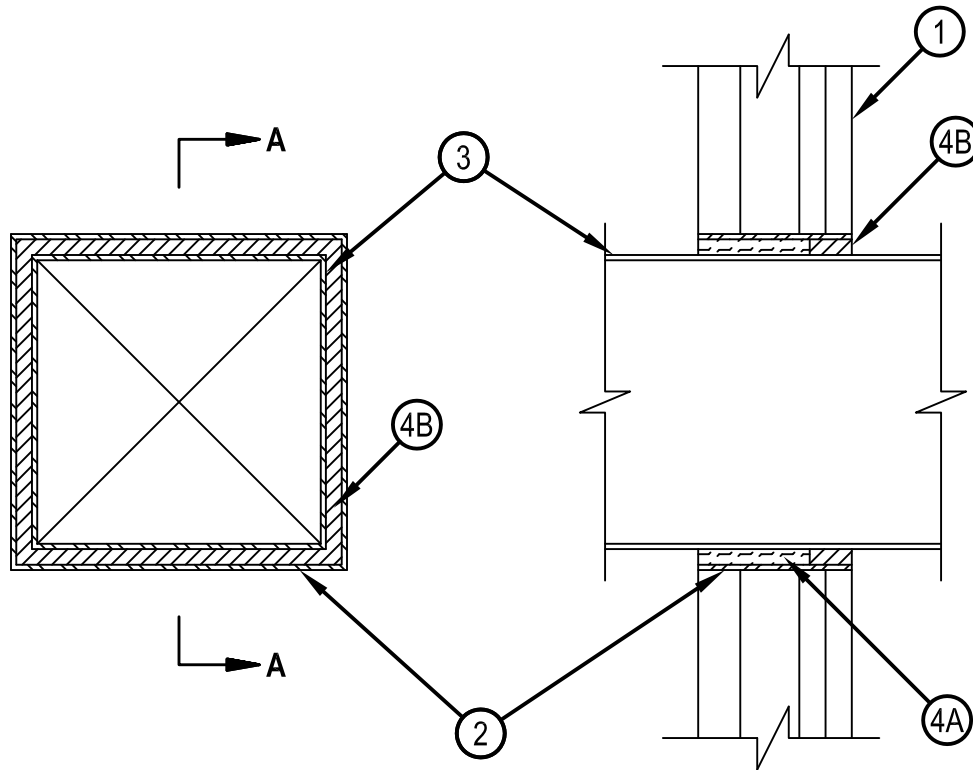


Classified by
Underwriters Laboratories, Inc.
to UL 1479 and CAN/ULC-S115

System No. W-L-7069

WL 7069

ANSI/UL1479 (ASTM E814)	CAN/ULC S115
F Ratings - 1 and 2 Hr (See Items 1 and 4)	F Ratings - 1 and 2 Hr (See Items 1 and 4)
T Rating - 0 Hr	FT Rating - 0 Hr
	FH Ratings - 1 and 2 Hr (See Items 1 and 4)
	FTH Rating - 0 Hr



SECTION A-A



Hilti Firestop Systems

Reproduced by HILTI, Inc. Courtesy of
Underwriters Laboratories, Inc.
January 27, 2015

System No. W-L-7069

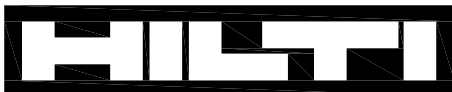
WL 7069

1. Wall Assembly — The 1 or 2 hr fire-rated gypsum board/stud wall assembly shall be constructed of the materials and in the manner described in the individual U400, V400 or W400 Series Wall or Partition Design in the UL Fire Resistance Directory and shall include the following construction features:
 - A. Studs — "C-T" shaped studs 1-5/8 in. (41 mm) wide by 2-1/2 in. (64 mm) deep, fabricated from 25 MSG galv steel, spaced max 24 in. (610 mm) OC.
 - B. Gypsum Board* — One layer of nom 1 in. (25 mm) thick, 24 in. (610 mm) wide gypsum liner and one or two layers of nom 5/8 in. (16 mm) thick, 4 ft. (1.22 mm) wide gypsum board with square or tapered edges. The gypsum board type, number of layers, fastener type and sheet orientation shall be as specified in the individual Wall and Partition Design. Max size of opening is 64 sq in. (412 cm²) with max dimension of 8 in. (203 mm).

The hourly F and FH Ratings of the firestop system are equal to the hourly fire rating of the wall assembly in which it is installed.
- 1A. Wall Assembly — As an alternate to the above wall assembly, the 1 or 2 hr fire rated gypsum board/stud wall assembly shall be constructed of the materials and in the manner specified in the individual U300, U400 or V400 Series Wall and Partition Designs in the UL Fire Resistance Directory and shall include the following construction features:
 - A. Studs — Wall framing may consist of either wood studs or steel channel studs. Steel studs to be min 2-1/2 in. (64 mm) wide and spaced max 24 in. (610 mm) OC. Wood studs to consist of nom 2 by 4 in. (61 by 102 mm) lumber spaced 16 in. (406 mm) OC.
 - B. Gypsum Board* — Thickness, type, number of layers and fasteners as required in the individual Wall and Partition Design. Max size of opening is 64 sq in. (412 cm²) with max dimension of 8 in. (203 mm).
2. Metallic Sleeve — Nom 8 in. by 8 in. (203 by 203 mm) (or smaller) steel sleeve fabricated from min 0.016 in. thick (28 gauge) (or heavier) galv sheet steel and having a 1 in. (25 mm) lap along the longitudinal seam. Steel sleeve friction fit flush with both surfaces of wall.
3. Steel Duct — Nom 7 in. by 7 in. (178 by 178 mm) (or smaller) No 24 gauge (or heavier) galv steel duct to be installed either concentrically or eccentrically within the firestop system. The annular space shall be min 1/4 in. (6 mm) to max 3/4 in. (19 mm) Duct to be rigidly supported on both sides of the wall assembly.
4. Firestop System — The firestop system shall consist of the following:
 - A. Packing Material — Min 1-5/8 or 2-1/4 in. (41 or 57 mm) thickness of min 4 pcf (64 kg/m³) mineral wool batt insulation firmly packed into sleeve on one side of the wall as a permanent form for 1 and 2 hr walls, respectively. Packing material to be recessed from the room side of wall as required to accommodate the required thickness of fill material. In alternate wall assembly, packing material to be flush with either side of the wall and recessed from the other side of the wall to accommodate the required thickness of fill material.
 - B. Fill, Void or Cavity Material — Sealant* — Min 1-1/2 in. (38 mm) thickness of fill material applied within sleeve, flush with the room surface of wall or either surface in the alternate wall assembly.

HILTI CONSTRUCTION CHEMICALS, DIV OF HILTI INC — FS-ONE Sealant or FS-ONE MAX Intumescent Sealant

* Indicates such products shall bear the UL or cUL Certification Mark for jurisdictions employing the UL or cUL Certification (such as Canada), respectively.



Hilti Firestop Systems

Reproduced by HILTI, Inc. Courtesy of
Underwriters Laboratories, Inc.
January 27, 2015

Page: 2 of 2