

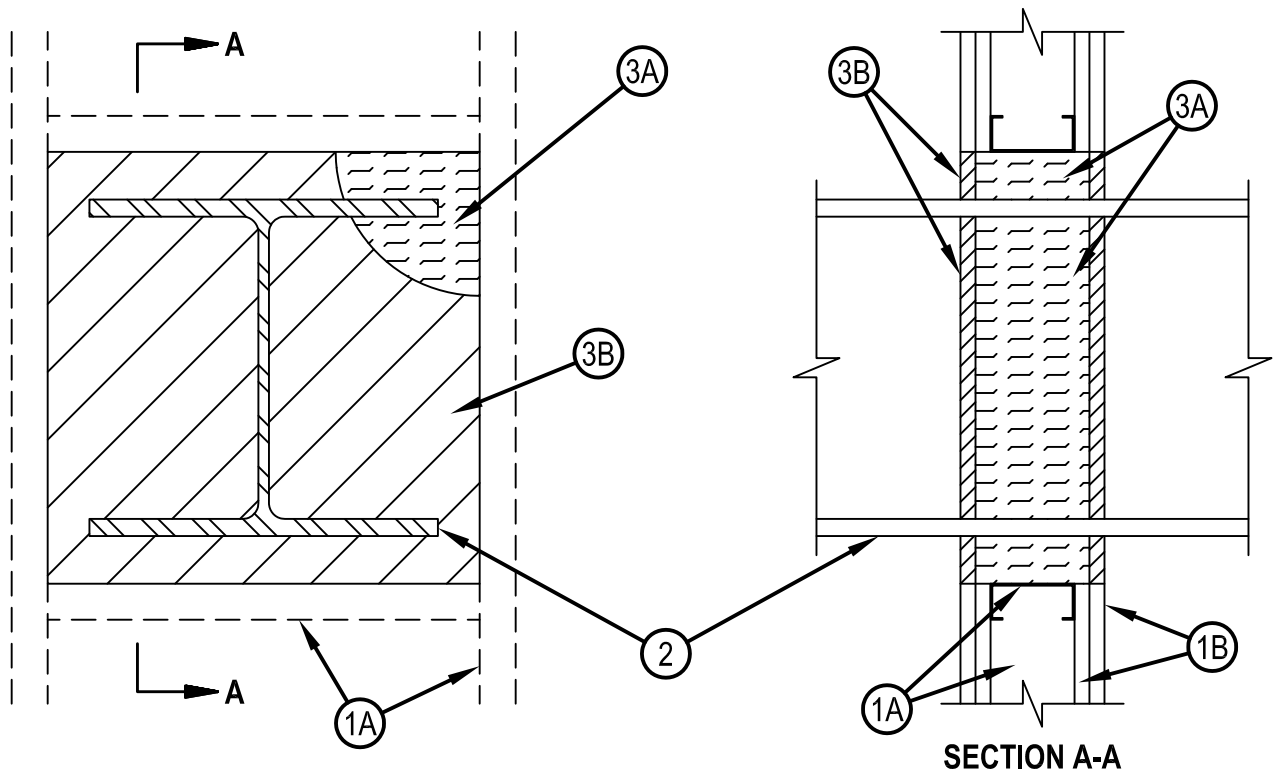


Classified by
Underwriters Laboratories, Inc.
to UL 1479 and CAN/ULC-S115

System No. W-L-7188

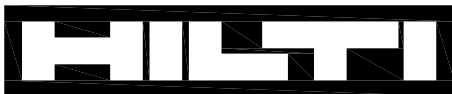
WL 7188

ANSI/UL1479 (ASTM E814)	CAN/ULC S115
F Ratings — 1 and 2 Hr (See Item 1)	F Ratings — 1 and 2 Hr (See Item 1)
T Rating — 0 Hr	FT Ratings — 0 Hr
L Rating At Ambient — 1 CFM/sq 4 ft (See Item)	FH Ratings — 1 and 2 Hr (See Item 1)
L Rating At 400 F — Less Than 1 CFM/sq ft (See Item)	FTH Rating — 0 Hr
	L Rating At Ambient — 1 CFM/sq ft (See Item)
	L Rating At 400 F — Less Than 1 CFM/sq ft (See Item)



1. Wall Assembly — The 1 or 2 hr fire rated gypsum board/stud wall assembly shall be constructed of the materials and in the manner specified in the individual U400, V400, or W400 Series Wall and Partition Designs in the UL Fire Resistance Directory and shall include the following construction features:

- A. Studs — Wall framing shall consist of steel channel studs. Steel studs to be min 3-1/2 in. (89 mm) wide and spaced max 24 in. (610 mm) OC. Opening framed out with steel studs to form a rectangular box around through penetrant.
- B. Gypsum Board* — One or two layers of gypsum board, as specified in the individual Wall and Partition Design. Max area of rectangular opening is 324 sq in. (0.21 m²) with max dimension of 18 in. (457 mm).
The hourly F and FH Ratings of the firestop system are equal to the hourly fire rating of the wall assembly in which it is installed.



Hilti Firestop Systems

Reproduced by HILTI, Inc. Courtesy of
Underwriters Laboratories, Inc.
January 27, 2015

System No. W-L-7188

WL 7188

2. Through Penetrant — One W14X90 (or smaller) steel beam service support to be installed within the firestop system. An annular space of min 1/2 in. (13 mm) to max 3 in. (76 mm) is required between the steel beam and the periphery of the opening. Steel beam service support to be rigidly supported on both sides of wall assembly.
3. Firestop System — The firestop system shall consist of the following items:
 - A. Packing Material — Mineral wool batt insulation, nom 4 pcf (64 kg/m³), tightly-packed into opening to full depth of wall except for min 5/8 in. (16 mm) recess on each side of wall as required to accommodate fill material (Item 3B).
 - B. Fill, Void or Cavity Material* - Sealant — Min 5/8 in. (16 mm) thickness of fill material applied to fill annular space around steel beam flush with each surface of wall.
HILTI CONSTRUCTION CHEMICALS, DIV OF HILTI INC — FS-ONE Sealant or FS-ONE MAX Intumescent Sealant

* Indicates such products shall bear the UL or cUL Certification Mark for jurisdictions employing the UL or cUL Certification (such as Canada), respectively.



Hilti Firestop Systems

Reproduced by HILTI, Inc. Courtesy of
Underwriters Laboratories, Inc.
January 27, 2015

Page: 2 of 2