

UL/cUL SYSTEM NO. W-J-3261

# CABLE BUNDLE THROUGH CONCRETE WALL OR BLOCK WALL ASSEMBLY

F-RATING = 2-HR.

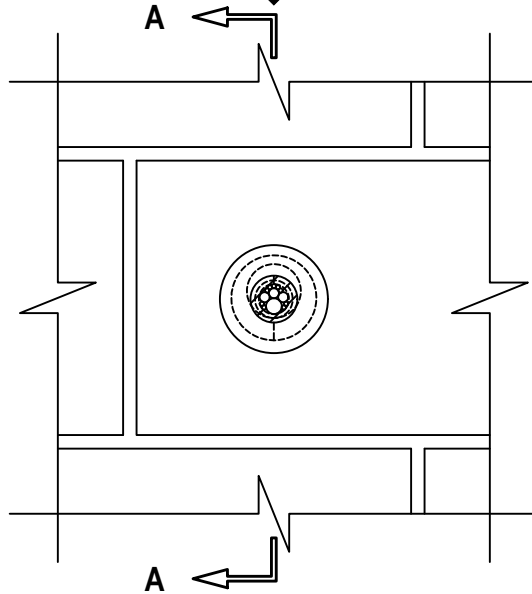
T-RATING = 2-HR.

L-RATING AT AMBIENT = LESS THAN 1 CFM / SQ FT

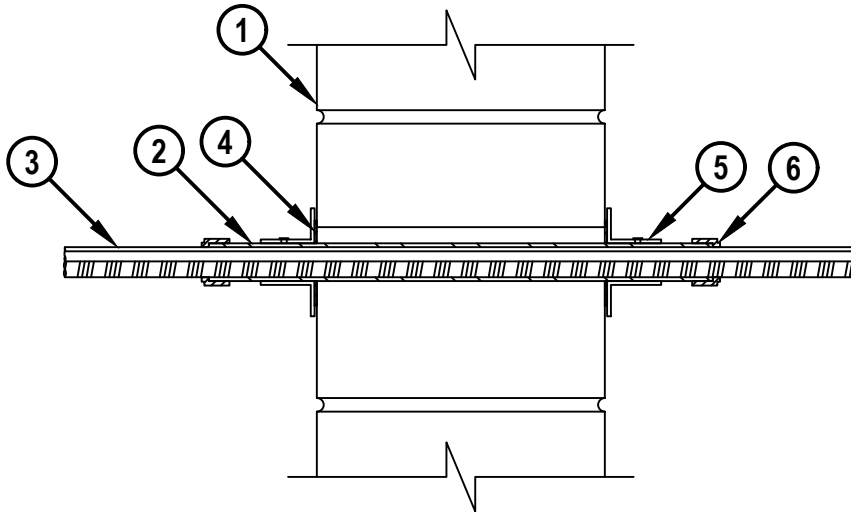
L-RATING AT 400°F = LESS THAN 1 CFM / SQ FT

WJ3261b.050820

## FRONT VIEW



## SECTION A-A



### 1. CONCRETE WALL ASSEMBLY (2-HR. FIRE-RATING) :

A. LIGHTWEIGHT OR NORMAL WEIGHT CONCRETE WALL (MINIMUM 6" THICK).

B. ANY UL/cUL CLASSIFIED CONCRETE BLOCK WALL.



Hilti Firestop Systems

HILTI, Inc.  
Plano, Texas USA (800) 879-8000

Sheet 1 of 2

Scale 3/16" = 1"

Date May 08, 2020

Drawing No.

**WJ**  
**3261b**

*Saving Lives through Innovation and Education*

**CABLE BUNDLE THROUGH CONCRETE WALL OR BLOCK WALL ASSEMBLY**

F-RATING = 2-HR.

T-RATING = 2-HR.

L-RATING AT AMBIENT = LESS THAN 1 CFM / SQ FT

L-RATING AT 400°F = LESS THAN 1 CFM / SQ FT

WJ3261b.050820

2. METALLIC SLEEVE ASSEMBLY CONSISTING OF NOMINAL 1" DIAMETER STEEL CONDUIT OR EMT SLEEVE WITH FLANGED COUPLING (ITEM 5). SLEEVE MAY EXTEND A MAXIMUM 3" BEYOND BOTH WALL SURFACES. AS AN OPTION, THE SLEEVE MAY BE PROVIDED WITH A PLASTIC GROMMET AT ENDS OF THE SLEEVE.
3. SINGLE CABLE OR CABLE BUNDLE TO BE ONE OR A COMBINATION OF ANY OF THE FOLLOWING :
  - A. MAXIMUM 3/C NO. 8 AWG NM COPPER CONDUCTOR (ROMEX) CABLE WITH PVC INSULATION AND JACKET.
  - B. MAXIMUM 7/C NO. 12 AWG COPPER CONDUCTOR CONTROL CABLE WITH PVC OR XLPE JACKET AND INSULATION.
  - C. MAXIMUM 100 PAIR NO. 24 AWG COPPER CONDUCTOR TELECOMMUNICATION CABLE WITH PVC OR PLENUM RATED INSULATION AND JACKETING.
  - D. MAXIMUM 4 PAIR NO. 22 AWG CAT 5 OR 6 COMPUTER CABLE WITH PVC OR PLENUM RATED INSULATION AND JACKETING.
  - E. MAXIMUM RG 6/U COAXIAL CABLE WITH FLUORINATED ETHYLENE OR PVC INSULATION AND JACKETING (MAXIMUM 1/2" DIAMETER).
  - F. MAXIMUM 24 FIBER-OPTIC CABLE WITH PVC OR PE JACKET AND INSULATION.
  - G. MAXIMUM 2/C NO. 18 AWG COPPER CONDUCTOR FIRE ALARM CABLE WITH OR WITHOUT A JACKET UNDER A METAL ARMOR (AFC CABLE SYSTEMS, INC).
  - H. MAXIMUM 3/C NO. 10 AWG COPPER CONDUCTOR METAL CLAD CABLE.
4. HILTI CFS-D 1" FIRESTOP PUTTY DISC PRESSED FIRMLY AROUND THE SLEEVE LAPPING NOMINAL 5mm ONTO SLEEVE AND FIRMLY PRESSED TO LAP ONTO THE WALL. DISC SEAM TO BE FIRMLY PRESSED AND SEALED TIGHT.
5. STEEL FLANGED COUPLING SIZED TO ACCOMMODATE STEEL SLEEVE WITH A NOMINAL 3" DIAMETER FLANGE IS INSTALLED OVER CONDUIT, TIGHTLY AGAINST PUTTY DISC ON EACH SIDE OF WALL AND SECURED TO CONDUIT WITH STEEL SET SCREW.
6. HILTI CFS-D 1" FIRESTOP PUTTY DISC PRESSED FIRMLY AROUND THE CABLE/CABLE BUNDLE, AT EXIT FROM EACH SLEEVE, LAPPING NOMINAL 5mm ONTO CABLES TO COMPLETELY COVER OPENING AND FIRMLY PRESSED TO LAP ONTO THE SLEEVE. DISC SEAM TO BE FIRMLY PRESSED AND SEALED TIGHT.

**NOTES :** 1. MAXIMUM DIAMETER OF OPENING = 1-1/2".  
 2. CABLES MAY REPRESENT 0% TO 100% OF VISUAL FILL OF SLEEVE.  
 3. ANNULAR SPACE BETWEEN SLEEVE AND PERIPHERY OF OPENING = MINIMUM 0", MAXIMUM 1/8".  
 4. [NOT SHOWN] AS AN ALTERNATE TO ITEM 4 ABOVE, INSTALL MINIMUM 1/2" BEAD HILTI FS-ONE MAX INTUMESCENT FIRESTOP SEALANT OR HILTI CP 606 FLEXIBLE FIRESTOP SEALANT AT THE SLEEVE/WALL INTERFACE.



HILTI, Inc.  
 Plano, Texas USA (800) 879-8000

Sheet	2 of 2
Scale	-
Date	May 08, 2020

Drawing No.  
**WJ**  
**3261b**