



Classified by
Underwriters Laboratories, Inc.
to UL 2079 and CAN/ULC-S115

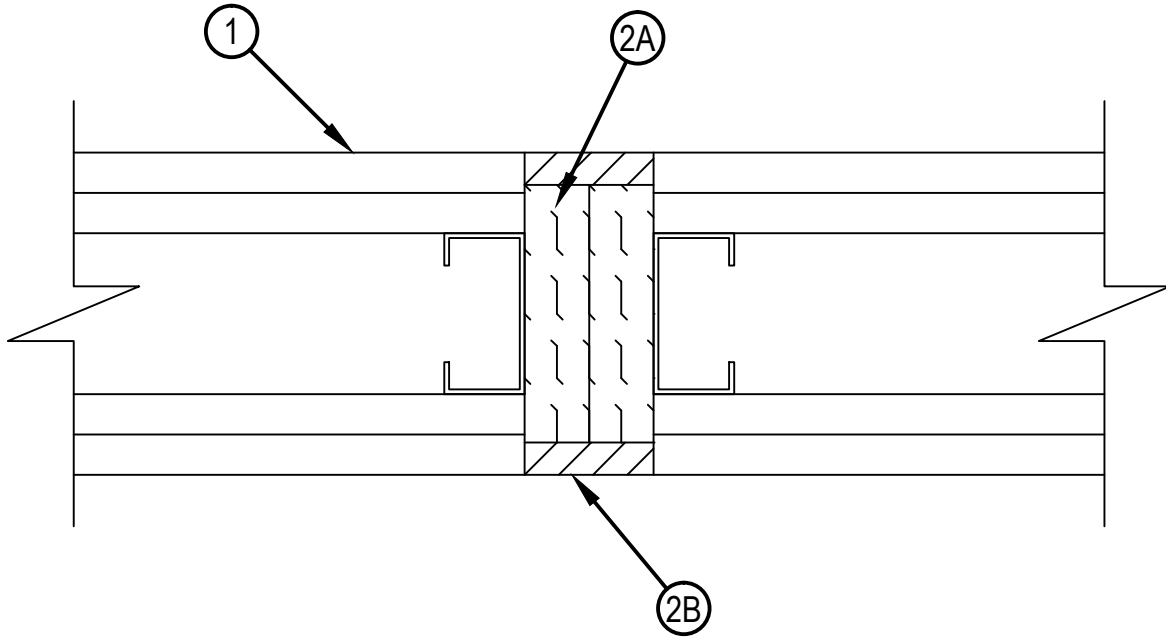
System No. WW-D-0067

Assembly Ratings — 1 and 2 (See Item 1)

Nominal Joint Width — 2 in.

Class II Movement Capabilities — 12.5% Compression or Extension

WW-D-0067



1. Wall Assembly — Nonbearing 1 or 2 hr fire rated gypsum board/steel stud assembly constructed of the materials and in the manner described in the individual U400 or V400 Series Wall or Partition Design in the UL Fire Resistance Directory and shall include the following construction features:

A. Studs — Min 1-1/2 in. (38 mm) wide steel studs spaced max 24 in. (610 mm) OC.

B. Gypsum Board* — The gypsum board type, thickness, number of layers, fastener type and sheet orientation shall be as specified in the individual U400 or V400 Series Design in the UL Fire Resistance Directory.

The hourly assembly rating of the joint system is equal to the hourly fire rating of the wall assembly in which it is installed.

2. Joint System — Max width of joint (at time of installation of joint system) is 2 in. (51 mm) The joint system is designed to accommodate a max 12.5 percent compression or extension from its installed width. The joint system shall consist of the following:

A. Forming Material* — Min 4.0 pcf (64 kg/m³) mineral wool batt insulation installed in joint opening as a permanent form. Pieces of batt cut to min width of 1-3/4 or 3 in. (44 or 76 mm) for 1 and 2 hr rated assemblies, respectively. Pieces of batt installed edge-first into joint opening, parallel with joint direction, such that batt sections are compressed min 50 percent in thickness and such that the compressed batt sections are recessed from both surfaces of wall to accommodate the required thickness of fill material.

FIBREX INSULATIONS INC — FBX Safing Insulation

B. Fill, Void or Cavity Material* - Sealant — Min 1/2 in. (13 mm) thickness of fill material applied within the joint, flush with both surfaces of wall.

HILTI CONSTRUCTION CHEMICALS, DIV OF HILTI INC — CP606 Flexible Firestop Sealant

*Bearing the UL Classification Mark



Hilti Firestop Systems

Reproduced by HILTI, Inc. Courtesy of
Underwriters Laboratories, Inc.

February 06, 2014