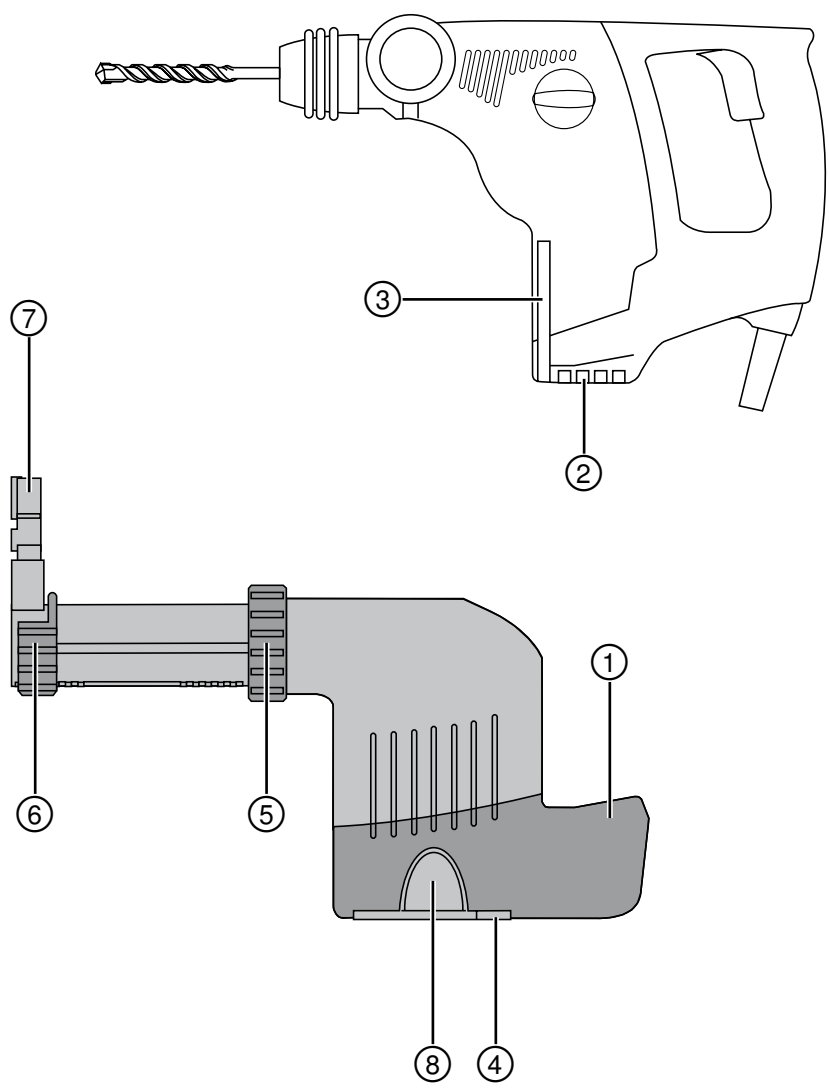
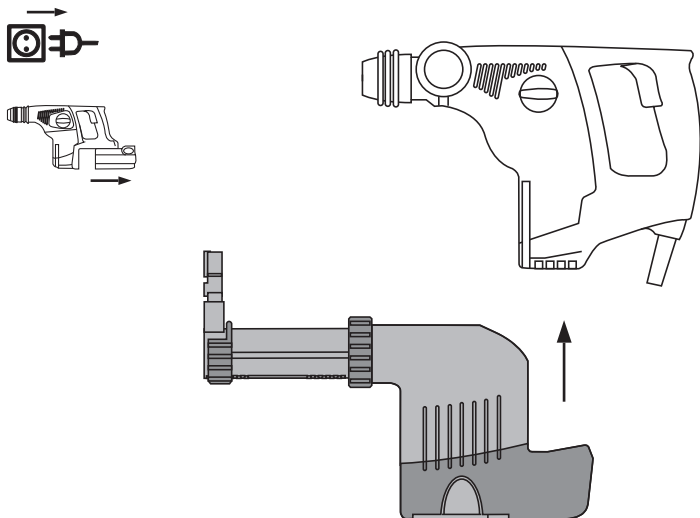


<b>Bedienungsanleitung</b>	<b>de</b>
<b>Operating instructions</b>	<b>en</b>
<b>Mode d'emploi</b>	<b>fr</b>
<b>Manual de instrucciones</b>	<b>es</b>
<b>Istruzioni d'uso</b>	<b>it</b>
<b>Gebbruksaanwijzing</b>	<b>nl</b>
<b>Brugsanvisning</b>	<b>da</b>
<b>Bruksanvisning</b>	<b>no</b>
<b>Bruksanvisning</b>	<b>sv</b>
<b>Käyttöohje</b>	<b>fi</b>
<b>Manual de instruções</b>	<b>pt</b>
<b>Οδηγίες χρήσεως</b>	<b>el</b>
<b>Használati utasítás</b>	<b>hu</b>
<b>Návod k obsluze</b>	<b>cs</b>
<b>Návod na obsluhu</b>	<b>sk</b>
<b>Instrukcja obsługi</b>	<b>pl</b>
<b>Upute za uporabu</b>	<b>hr</b>
<b>Navodila za uporabo</b>	<b>sl</b>
<b>Ръководство за обслужване</b>	<b>bg</b>
<b>Инструкция по експлуатации</b>	<b>ru</b>
<b>Lietošanas pamācība</b>	<b>lv</b>
<b>Instrukcija</b>	<b>lt</b>
<b>Kasutusjuhend</b>	<b>et</b>
<b>取扱説明書</b>	<b>ja</b>
<b>사용설명서</b>	<b>ko</b>
<b>操作說明書</b>	<b>zh</b>

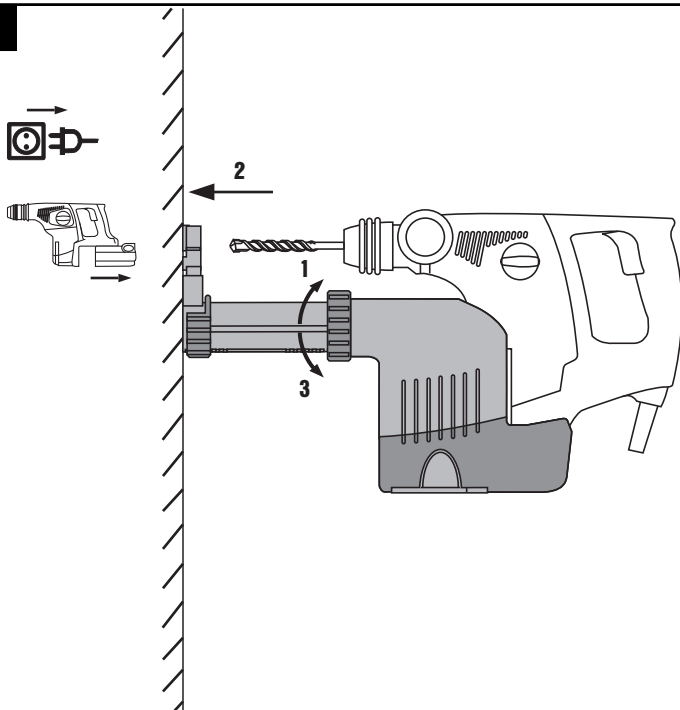




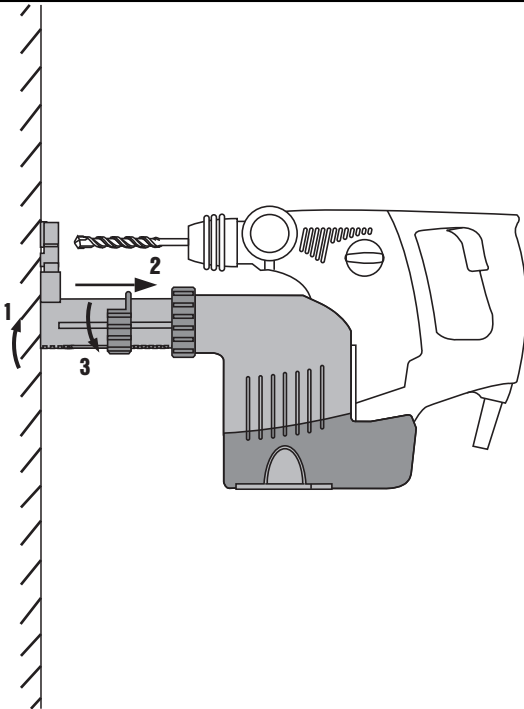
2



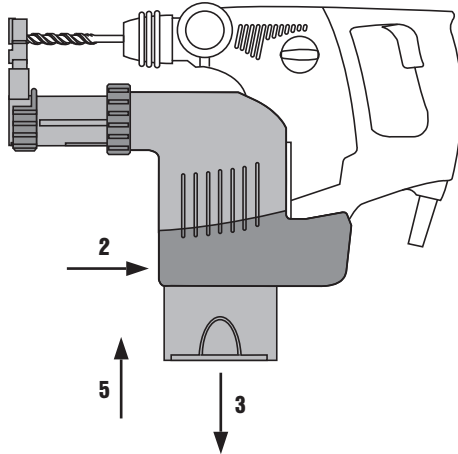
3



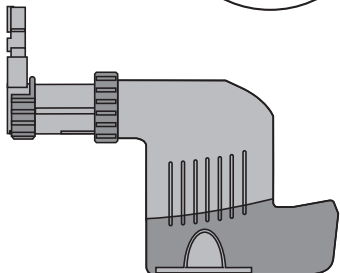
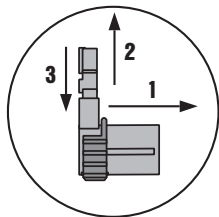
4



5



6



# ORIGINAL OPERATING INSTRUCTIONS

## TE DRS-M dust removal module

en

**It is essential that the operating instructions are read before the appliance is operated for the first time.**

**Always keep these operating instructions together with the appliance.**

**Ensure that the operating instructions are with the appliance when it is given to other persons.**

Contents	Page
1 General information	6
2 Description	7
3 Technical data	7
4 Safety instructions	7
5 Operation	8
6 Care and maintenance	9
7 Troubleshooting	9
8 Disposal	9
9 Manufacturer's warranty - tools	9
10 EC declaration of conformity (original)	10

**1** These numbers refer to the illustrations. You can find the illustrations at the beginning of the operating instructions.

In these operating instructions the designation "the appliance" always refers to the TE DRS-M dust removal module.

### Operating controls **1**

- ① Dust removal module drive shaft
- ② Power tool drive shaft
- ③ Guides
- ④ Release button
- ⑤ Locking ring
- ⑥ End stop
- ⑦ Suction head
- ⑧ Dust container

## 1 General information

### 1.1 Safety notices and their meaning

#### DANGER

Draws attention to imminent danger that will lead to serious bodily injury or fatality.

#### WARNING

Draws attention to a potentially dangerous situation that could lead to serious personal injury or fatality.

#### CAUTION

Draws attention to a potentially dangerous situation that could lead to slight personal injury or damage to the equipment or other property.

#### NOTE

Draws attention to an instruction or other useful information.

### 1.2 Explanation of the pictograms and other information

#### Warning signs



General warning

#### Obligation signs



Read the operating instructions before use.

### Location of identification data on the module

The type designation is shown on the appliance. Always refer to this information when contacting our representative or service center.

Type: \_\_\_\_\_

Serial no.: \_\_\_\_\_

## 2 Description

### 2.1 Use of the product as directed

The TE DRS-M dust removal module is an accessory for use with the Hilti TE 7, TE 7-A, TE 7-C, TE 6-S and TE 6-C rotary hammers.

The dust removal module can be quickly and easily attached to the power tool, i.e. the rotary hammer.

The dust removal module is not suitable for use when chiseling or drilling in metals.

Please observe national regulations applicable to working with materials hazardous to the health (e.g. asbestos).

The appliance is intended for professional use. The appliance may be operated, serviced and repaired only by authorized, trained personnel. This personnel must be informed of any special hazards that may be encountered. The appliance and the power tool may present hazards when used incorrectly by untrained personnel or when used not as directed.

In order to avoid the risk of injury, use the appliance only in conjunction with the Hilti rotary hammers named above.

Accessories are available from your Hilti Center or can be ordered online at [www.hilti.com](http://www.hilti.com).

en

## 3 Technical data

Right of technical changes reserved.

Appliance	TE DRS-M
Rated power input	Max. 60 W
Suction performance	Max. 250 l/min
Weight	Max. 0.9 kg

### Additional technical information

Operating stroke	Max. 105 mm
Suitable TE-C hammer drill bits (Ø)	4 ... 16 mm
Drill bit working length	50 ... 100 mm
Contact pressure	15 ... 25 N
Dust container capacity	20 to 130 holes (depends on drill bit diameter and hole depth)
Suction head (Ø)	4 ... 16 mm
Dust container regeneration cycles	Up to 100

## 4 Safety instructions

**WARNING! Read all instructions!** Observe all applicable safety rules and the operating instructions for the Hilti rotary hammer used. Failure to observe the instructions could lead to serious personal injury. **SAVE THESE INSTRUCTIONS**

- Modification of the machine or tampering with its parts is not permissible.**
- Unplug the supply cord from the power outlet or, if using a cordless tool, move the forward / reverse switch to the middle position.**

### 4.1 Dusts

This appliance collects a significant percentage, but not all, of the dust generated.

Dust from materials, such as paint containing lead, some wood species, concrete / masonry / stone containing silica, and minerals as well as metal, may be harmful. Contact with or inhalation of the dust may cause allergic reactions and/or respiratory or other diseases to the operator or bystanders. Certain kinds of dust are classified

as carcinogenic such as oak and beech dust, especially in conjunction with additives for wood conditioning (chromate, wood preservative). Material containing asbestos must only be treated by specialists. **Where the use of a dust-extraction device is possible it shall be used.**

**To achieve a high level of dust collection, use a suitable dust extractor. When indicated wear a respirator appropriate for the type of dust generated. Ensure that the workplace is well ventilated. Follow national requirements for the materials you want to work with.**

en

## 5 Operation

### 5.1 Preparing for use

#### 5.1.1 Fitting the dust removal module 2

##### NOTE

Dust may be released when the filter container is full. Accordingly, the container should be emptied regularly. Wear respiratory protection when doing this.

##### NOTE

The suction fan incorporated in the dust module is driven by the motor of the tool by way of a push-in coupling. The toothing on the rotor shaft meshes with the toothed sleeve on the dust module.

#### 5.1.2 Removing the module

##### CAUTION

The drive pinion on the dust removal module may be hot after the unit has been in use. **Avoid touching the drive pinion.**

1. Press the release buttons and hold them in this position.
2. Pull the dust removal module downwards away from the power tool.

#### 5.1.3 Length adjustment (stroke) 3

##### NOTE

For normal use, the stroke is set for a (total) drill bit length of 150 mm. This corresponds to a drill bit working length of 100 mm. The stroke must be adjusted if shorter drill bits are used.

1. **CAUTION** When the locking ring is opened, the telescopic section is released and it may jump out a distance of up to 110 mm under spring pressure. **Wear eye protection.** Release the locking ring.
2. Press the power tool (with drill bit fitted) against a wall until the tip of the drill bit touches the wall.
3. Tighten the locking ring.

#### 5.1.4 Setting drilling depth (depth gauge) 4

##### NOTE

If holes require to be drilled to an exact depth (e.g. anchor holes), the correct depth must be determined by drilling test holes.

1. Release the end stop.
2. Slide the end stop to the required drilling depth.
3. Secure the end stop.

### 5.2 Operation

##### CAUTION

**Observe the operating instructions for the Hilti rotary hammer used. Use the appliance only in conjunction with the power tools listed in section 2. Failure to observe this point may present a risk of personal injury.**

##### WARNING

**It is essential that national regulations applicable to working with materials hazardous to health (e.g. asbestos) are observed.**

#### 5.2.1 Emptying the dust container 5

##### NOTE

Dust may be released when the filter container is full. Accordingly, the container should be emptied regularly. Wear respiratory protection when doing this.

1. Hold the tool horizontally and allow it to run for a short time. This ensures that any dust remaining in parts of the dust removal module are drawn into the dust container.
2. Press the release buttons and hold them in this position.
3. Pull the dust container downwards away from the module.
4. Empty the dust container by tapping it lightly. Avoid releasing an excessive amount of dust into the air.
5. Push the empty dust container back into the dust module from below until it engages. When fitting a new dust container, first remove the protective cover.

#### 5.2.2 Replacing the suction head 6

1. Pull back the rib on the rear of the suction head.
2. Pull the old suction head upwards out of its guide.
3. Press the new suction head into the guide until it engages.



## 6 Care and maintenance

### CAUTION

Unplug the supply cord from the power outlet or, if using a cordless tool, move the forward / reverse switch to the middle position.

#### 6.1 Care of insert tools

Clean off dirt and dust deposits adhering to the insert tools and protect them from corrosion by wiping the insert tools from time to time with an oil-soaked rag.

#### 6.2 Caring for the appliance

### CAUTION

Do not use water, oil, grease or cleaning agents.

Use only a dry brush and a cloth to clean the appliance. Wear respiratory protection when doing this.

#### 6.3 Maintenance

Check all external parts of the appliance for damage at regular intervals and check that all controls operate faultlessly. Do not operate the appliance if parts are damaged or when the controls do not function faultlessly. If necessary, the appliance should be repaired at a Hilti repair center.

en

## 7 Troubleshooting

Fault	Possible cause	Remedy
Excessive dust emission	The dust container is full.	Emptying the dust container
	The suction head is defective.	Replacing the suction head

## 8 Disposal



Most of the materials from which Hilti tools or appliances are manufactured can be recycled. The materials must be correctly separated before they can be recycled. In many countries, Hilti has already made arrangements for taking back old tools and appliances for recycling. Ask Hilti customer service or your Hilti representative for further information.

## 9 Manufacturer's warranty - tools

Please contact your local Hilti representative if you have questions about the warranty conditions.

## 10 EC declaration of conformity (original)

Designation:	Dust removal module
Type:	TE DRS-M
Year of design:	2005

We declare, on our sole responsibility, that this product complies with the following directives and standards: 2006/42/EC, EN ISO 12100.

**Hilti Corporation, Feldkircherstrasse 100,  
FL-9494 Schaan**



**Paolo Luccini**

Head of BA Quality and Process Management  
Business Area Electric Tools & Accessories  
01/2012



**Jan Doongaji**

Executive Vice President  
Business Unit Power  
Tools & Accessories  
01/2012

### Technical documentation filed at:

Hilti Entwicklungsgesellschaft mbH  
Zulassung Elektrowerkzeuge  
Hiltistrasse 6  
86916 Kaufering  
Deutschland



Hilti Corporation

LI-9494 Schaan

Tel.: +423/234 21 11

Fax: +423/234 29 65

[www.hilti.com](http://www.hilti.com)

Hilti = registered trademark of Hilti Corp., Schaan  
Pos. 1 | 20140911

