

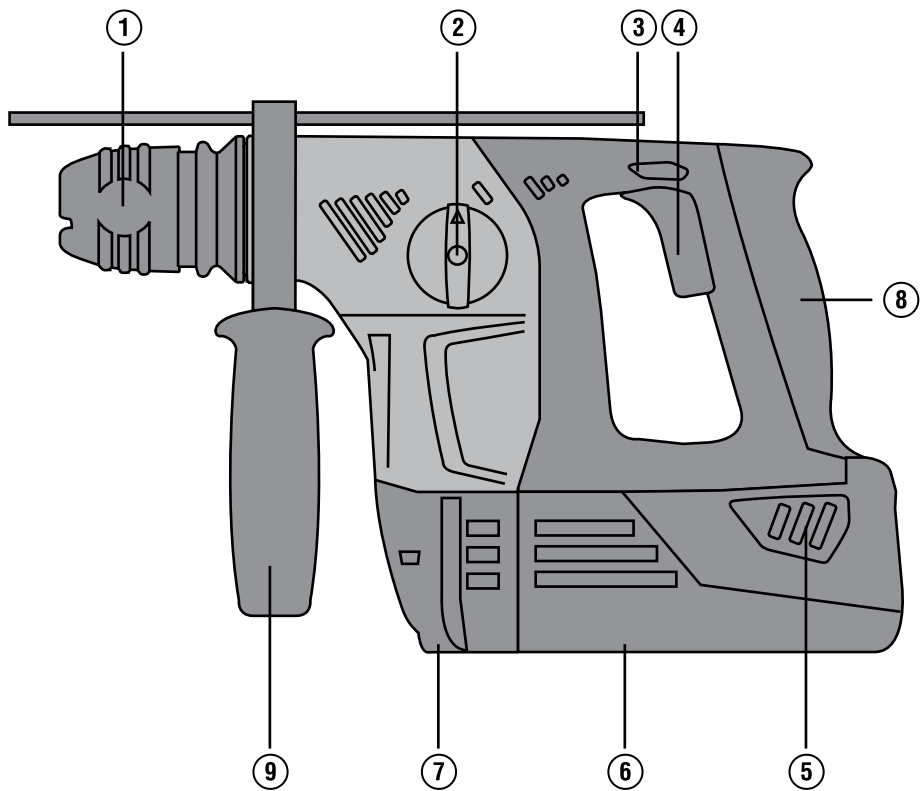
HILTI

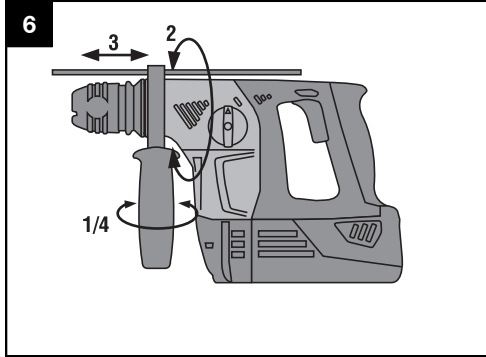
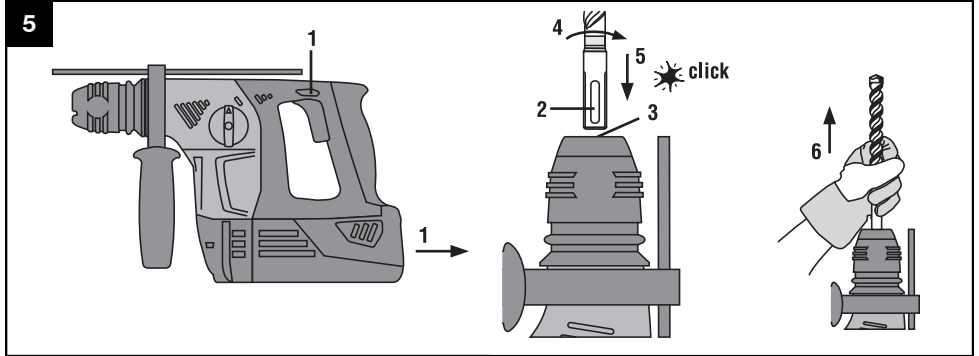
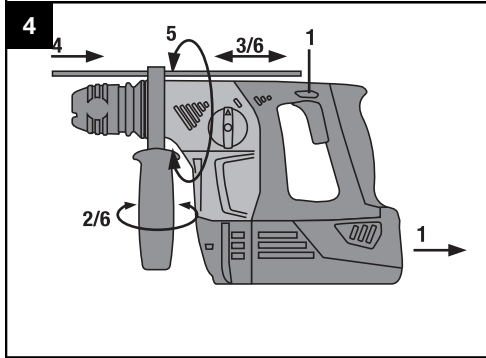
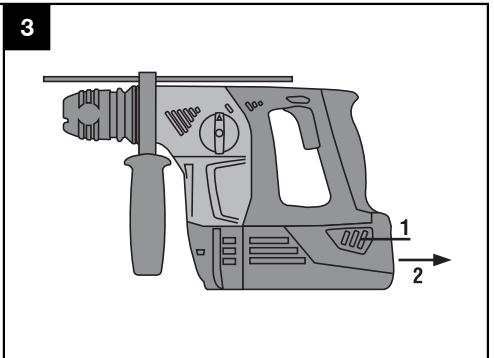
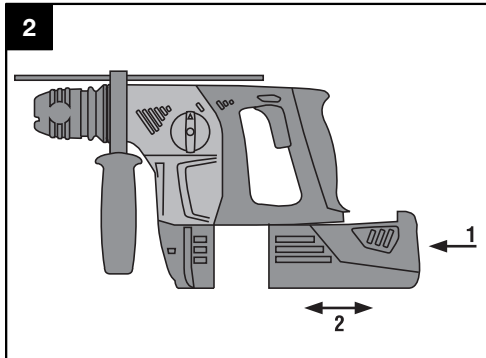
TE 6-A36

Bedienungsanleitung	de
Operating instructions	en
Használati utasítás	hu
Instrukcja obsługi	pl
Инструкция по эксплуатации	ru
Návod k obsluze	cs
Návod na obsluhu	sk
Upute za uporabu	hr
Navodila za uporabo	sl
Ръководство за обслужване	bg
Instrucțiuni de utilizare	ro
Kullanma Talimatı	tr
دليل الاستعمال	ar
Інструкція з експлуатації	uk
取扱説明書	ja
사용설명서	ko
操作說明書	zh
操作说明书	cn

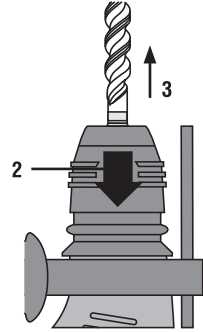
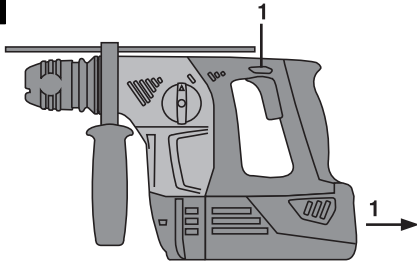


1

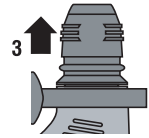
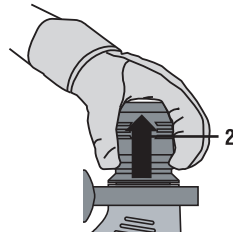
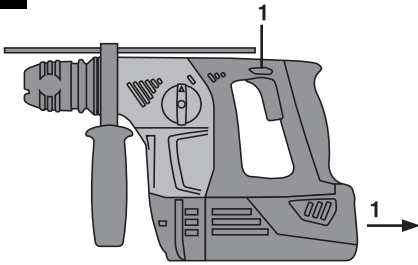




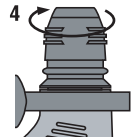
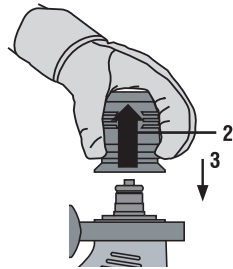
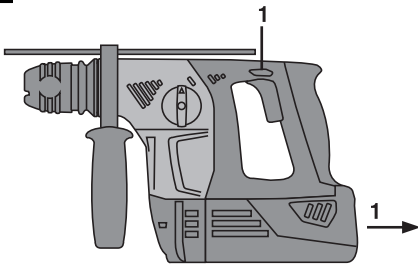
7



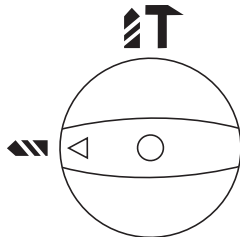
8



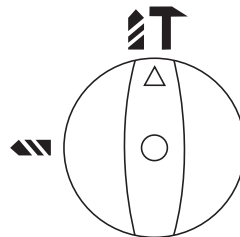
9

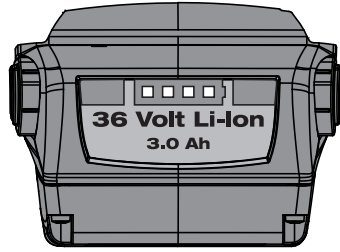
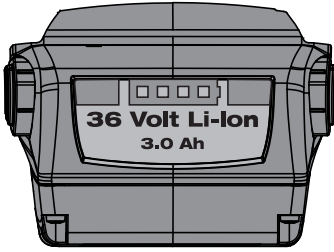


10



11





ORIGINAL OPERATING INSTRUCTIONS

TE 6-A36-AVR cordless rotary hammer

en

It is essential that the operating instructions are read before the power tool is operated for the first time.

Always keep these operating instructions together with the power tool.

Ensure that the operating instructions are with the power tool when it is given to other persons.

Contents	Page
1 General information	14
2 Description	15
3 Tools	17
4 Technical data	17
5 Safety instructions	18
6 Before use	20
7 Operation	21
8 Care and maintenance	23
9 Troubleshooting	24
10 Disposal	25
11 Manufacturer's warranty - tools	25
12 EC declaration of conformity (original)	26

1 These numbers refer to the illustrations. You can find the illustrations at the beginning of the operating instructions.

In these operating instructions, the designation "the power tool" always refers to the TE 6-A36-AVR(03) cordless rotary hammer.

Components, operating controls and indicators **1**

- ① Chuck
- ② Function selector switch
- ③ Forward / reverse switch
- ④ Control switch
- ⑤ Battery release button (2 buttons)
- ⑥ Battery
- ⑦ Interface for the TE DRS-6-A(01) dust removal module
- ⑧ Grip
- ⑨ Side handle with depth gauge

1 General information

1.1 Safety notices and their meaning

DANGER

Draws attention to imminent danger that will lead to serious bodily injury or fatality.

WARNING

Draws attention to a potentially dangerous situation that could lead to serious personal injury or fatality.

CAUTION

Draws attention to a potentially dangerous situation that could lead to slight personal injury or damage to the equipment or other property.

NOTE

Draws attention to an instruction or other useful information.

1.2 Explanation of the pictograms and other information

Warning signs



General warning



Warning: electricity



Warning: caustic substances

Obligation signs



Wear eye protection



Wear a hard hat



Wear ear protection



Wear protective gloves



Wear breathing protection



Read the operating instructions before use.

Symbols



Return materials for recycling



Drilling without hammering



Hammer drilling



Volts



Direct current



Rated speed under no load



Revolutions per minute



Diameter



Forward / reverse

Location of identification data on the power tool

The type designation can be found on the type identification plate and the serial number on the side of the motor housing. Make a note of this data in your operating instructions and always refer to it when making an enquiry to your Hilti representative or service department.

Type:

Generation: 03

Serial no.:

en

2 Description

2.1 Use of the product as directed

The TE 6-A36-AVR(03) is a hand-held, cordless rotary hammer for driving or removing screws, drilling in steel, wood and masonry and hammer drilling in concrete and masonry.

Use this product only with **Hilti** Li-ion batteries of the B 36 series.

Use only **Hilti** chargers of the C436 series with these batteries.

The power tool may be used only in a dry environment.

Do not use the power tool where there is a risk of fire or explosion.

Working on materials hazardous to the health (e.g. asbestos) is not permissible.

The power tool is designed for professional use and may be operated, serviced and maintained only by trained, authorized personnel. This personnel must be informed of any special hazards that may be encountered. The power tool and its ancillary equipment may present hazards when used incorrectly by untrained personnel or when used not as directed.

The working environment may be as follows: construction site, workshop, renovation, conversion or new construction.

Modification of the power tool or tampering with its parts is not permissible.

Do not use the battery as a power source for other unspecified appliances.

To avoid the risk of injury, use only genuine Hilti accessories and insert tools.

Observe the information printed in the operating instructions concerning operation, care and maintenance.
Observe the national health and safety requirements.

2.2 Chuck

TE-C CLICK chuck

2.3 Switches

Speed control switch for smooth starting

Function selector switch

Forward / reverse switch

2.4 Grips

Vibration-absorbing, pivotable side handle with depth gauge

Vibration-absorbing grip

2.5 Protective features

Mechanical slip clutch

2.6 Additional electronic features of the power tool

The power tool is equipped with electronic overload protection. The power tool switches off automatically in the event of overloading. When the control switch is released and then pressed again, the power tool immediately regains full power.

In addition, the temperature of the power tool's electronics is monitored to ensure extra-long life. In the event of the electronics overheating, the drive spindle will not rotate even when the control switch is pressed fully. The power tool can be used again as soon as the temperature is within the permissible range.

2.7 Lubrication

Permanent lubrication (grease)

2.8 Items supplied as standard

- 1 Power tool
- 1 TE-C CLICK chuck
- 1 Side handle with depth gauge
- 1 Operating instructions
- 1 Hilti toolbox (optional)
- 1 Cleaning cloth (optional)
- 1 Grease (optional)

2.9 Li-ion battery charge state

LEDs light constantly	LEDs blink	Charge status C
LED 1, 2, 3, 4	-	$C \geq 75 \%$
LED 1, 2, 3	-	$50 \% \leq C < 75 \%$
LED 1, 2	-	$25 \% \leq C < 50 \%$
LED 1	-	$10 \% \leq C < 25 \%$
-	LED 1	$C < 10 \%$

NOTE

Indication of state of charge is not possible while the power tool is in operation or immediately after operation. If the battery charge state LEDs blink, please refer to the information given in section 9, "Troubleshooting".

3 Tools

Designation	Description
Hammer drill bits	∅ 5...16 mm
Anchor-setting tools	C-type connection end
Quick-release chuck for wood and metal drill bits	With smooth shank, hexagonal shank
Keyed chuck	With smooth shank, hexagonal shank
Wood drill bits	∅ 3...20 mm
Wood drill bits (auger bits)	∅ Max. 14 mm
Metal drill bits (for steel)	∅ 3...10 mm

en

4 Technical data

Right of technical changes reserved.

Power tool	TE 6-A36-AVR(03)
Rated voltage (DC voltage)	36 V
Weight in accordance with EPTA procedure 01/2003	4.0 kg
Dimensions (L x W x H)	344 mm x 94 mm x 215 mm
Drilling speed without hammering	1,010/min
Hammer drilling speed	940/min
Speed under no load in hammer drilling mode	1,040/min
Single impact energy in accordance with EPTA procedure 05/2009	2.0 J

NOTE

The vibration emission level given in this information sheet has been measured in accordance with a standardised test given in EN 60745 and may be used to compare one tool with another. It may be used for a preliminary assessment of exposure. The declared vibration emission level represents the main applications of the tool. However if the tool is used for different applications, with different accessories or poorly maintained, the vibration emission may differ. This may significantly increase the exposure level over the total working period. An estimation of the level of exposure to vibration should also take into account the times when the tool is switched off or when it is running but not actually doing the job. This may significantly reduce the exposure level over the total working period. Identify additional safety measures to protect the operator from the effects of vibration such as: maintain the tool and the accessories, keep the hands warm, organisation of work patterns.

Noise and vibration information (measured in accordance with EN 60745-2-6):

Typical A-weighted sound power level	99 dB (A)
Typical A-weighted emission sound pressure level.	88 dB (A)
Uncertainty for the given sound level	3 dB (A)
Triaxial vibration values (vibration vector sum)	Measured in accordance with EN 60745-2-6
Hammer drilling in concrete, $a_{h, HD}$	9 m/s ²
Drilling in metal, $a_{h, D}$	< 2.5 m/s ²
Uncertainty (K) for triaxial vibration value	1.5 m/s ²

Other information about the power tool

Chuck	TE-C Click
-------	------------

5 Safety instructions

NOTE

The safety rules in section 5.1 contain all general safety rules for electric tools which, in accordance with the applicable standards, must be listed in the operating instructions. Accordingly, some of the rules listed may not be relevant to this tool.

5.1 General power tool safety warnings

a)  **WARNING**

Read all safety warnings and all instructions. Failure to follow the warnings and instructions may result in electric shock, fire and/or serious injury. **Save all warnings and instructions for future reference.** The term “power tool” in the warnings refers to your mains-operated (corded) power tool or battery-operated (cordless) power tool.

5.1.1 Work area safety

- a) **Keep work area clean and well lit.** Cluttered or dark areas invite accidents.
- b) **Do not operate power tools in explosive atmospheres, such as in the presence of flammable liquids, gases or dust.** Power tools create sparks which may ignite the dust or fumes.
- c) **Keep children and bystanders away while operating a power tool.** Distractions can cause you to lose control.

5.1.2 Electrical safety

- a) **Power tool plugs must match the outlet. Never modify the plug in any way. Do not use any adapter plugs with earthed (grounded) power tools.** Unmodified plugs and matching outlets will reduce risk of electric shock.
- b) **Avoid body contact with earthed or grounded surfaces, such as pipes, radiators, ranges and refrigerators.** There is an increased risk of electric shock if your body is earthed or grounded.
- c) **Do not expose power tools to rain or wet conditions.** Water entering a power tool will increase the risk of electric shock.
- d) **Do not abuse the cord. Never use the cord for carrying, pulling or unplugging the power tool. Keep cord away from heat, oil, sharp edges or moving parts.** Damaged or entangled cords increase the risk of electric shock.
- e) **When operating a power tool outdoors, use an extension cord suitable for outdoor use.** Use of a cord suitable for outdoor use reduces the risk of electric shock.
- f) **If operating a power tool in a damp location is unavoidable, use a residual current device (RCD) protected supply.** Use of an RCD reduces the risk of electric shock.

5.1.3 Personal safety

- a) **Stay alert, watch what you are doing and use common sense when operating a power tool. Do**

not use a power tool while you are tired or under the influence of drugs, alcohol or medication. A moment of inattention while operating power tools may result in serious personal injury.

- b) **Use personal protective equipment. Always wear eye protection.** Protective equipment such as dust mask, non-skid safety shoes, hard hat, or hearing protection used for appropriate conditions will reduce personal injuries.
- c) **Prevent unintentional starting. Ensure the switch is in the off-position before connecting to power source and/or battery pack, picking up or carrying the tool.** Carrying power tools with your finger on the switch or energising power tools that have the switch on invites accidents.
- d) **Remove any adjusting key or wrench before turning the power tool on.** A wrench or a key left attached to a rotating part of the power tool may result in personal injury.
- e) **Do not overreach. Keep proper footing and balance at all times.** This enables better control of the power tool in unexpected situations.
- f) **Dress properly. Do not wear loose clothing or jewellery. Keep your hair, clothing and gloves away from moving parts.** Loose clothes, jewellery or long hair can be caught in moving parts.
- g) **If devices are provided for the connection of dust extraction and collection facilities, ensure these are connected and properly used.** Use of dust collection can reduce dust-related hazards.

5.1.4 Power tool use and care

- a) **Do not force the power tool. Use the correct power tool for your application.** The correct power tool will do the job better and safer at the rate for which it was designed.
- b) **Do not use the power tool if the switch does not turn it on and off.** Any power tool that cannot be controlled with the switch is dangerous and must be repaired.
- c) **Disconnect the plug from the power source and/or the battery pack from the power tool before making any adjustments, changing accessories, or storing power tools.** Such preventive safety measures reduce the risk of starting the power tool accidentally.
- d) **Store idle power tools out of the reach of children and do not allow persons unfamiliar with the power tool or these instructions to operate the power tool.** Power tools are dangerous in the hands of untrained users.
- e) **Maintain power tools. Check for misalignment or binding of moving parts, breakage of parts and any other condition that may affect the power tool's operation. If damaged, have the power tool repaired before use.** Many accidents are caused by poorly maintained power tools.

- f) **Keep cutting tools sharp and clean.** Properly maintained cutting tools with sharp cutting edges are less likely to bind and are easier to control.
- g) **Use the power tool, accessories and tool bits etc. in accordance with these instructions, taking into account the working conditions and the work to be performed.** Use of the power tool for operations different from those intended could result in a hazardous situation.

5.1.5 Battery tool use and care

- a) **Recharge only with the charger specified by the manufacturer.** A charger that is suitable for one type of battery pack may create a risk of fire when used with another battery pack.
- b) **Use power tools only with specifically designated battery packs.** Use of any other battery packs may create a risk of injury and fire.
- c) **When battery pack is not in use, keep it away from other metal objects, like paper clips, coins, keys, nails, screws or other small metal objects, that can make a connection from one terminal to another.** Shorting the battery terminals together may cause burns or a fire.
- d) **Under abusive conditions, liquid may be ejected from the battery; avoid contact. If contact accidentally occurs, flush with water. If liquid contacts eyes, additionally seek medical help.** Liquid ejected from the battery may cause irritation or burns.

5.1.6 Service

- a) **Have your power tool serviced by a qualified repair person using only identical replacement parts.** This will ensure that the safety of the power tool is maintained.

5.2 Hammer safety warnings

- a) **Wear ear protectors.** Exposure to noise can cause hearing loss.
- b) **Use auxiliary handles, if supplied with the tool.** Loss of control can cause personal injury.
- c) **Hold power tool by insulated gripping surfaces, when performing an operation where the cutting accessory may contact hidden wiring.** Cutting accessory contacting a "live" wire may make exposed metal parts of the power tool "live" and could give the operator an electric shock.

5.3 Additional safety instructions

5.3.1 Personal safety

- a) **Always hold the power tool securely with both hands on the grips provided. Keep the grips dry, clean and free from oil and grease.**
- b) **Breathing protection must be worn if the power tool is used without a dust removal system for work that creates dust.**
- c) **Improve the blood circulation in your fingers by relaxing your hands and exercising your fingers during breaks between working.**

- d) **Avoid touching rotating parts. Switch the power tool on only after bringing it into position at the workpiece.** Touching rotating parts, especially rotating insert tools, may lead to injury.
- e) **Activate the safety lock (forward / reverse switch in the middle position) before storing or transporting the power tool.**
- f) **When restarting after the electronic overload protection system has switched the tool off, care must be taken to ensure that the power tool is held securely with both hands on the grips provided.**
- g) **Children must be instructed not to play with the power tool.**
- h) **The power tool is not intended for use by children, by debilitated persons or those who have received no instruction or training.**
- i) **Dust from material such as paint containing lead, some wood species, minerals and metal may be harmful. Contact with or inhalation of the dust may cause allergic reactions and/or respiratory diseases to the operator or bystanders. Certain kinds of dust are classified as carcinogenic such as oak and beech dust especially in conjunction with additives for wood conditioning (chromate, wood preservative). Material containing asbestos must only be treated by specialists. Where the use of a dust extraction device is possible it shall be used. To achieve a high level of dust collection, use a suitable vacuum cleaner of the type recommended by Hilti for wood dust and/or mineral dust together with this tool. Ensure that the workplace is well ventilated. The use of a dust mask of filter class P2 is recommended. Follow national requirements for the materials you want to work with.**

5.3.2 Electric tool use and care

- a) **Secure the workpiece. Use clamps or a vice to secure the workpiece.** The workpiece is thus held more securely than by hand and both hands remain free to operate the power tool.
- b) **Check that the insert tools used are compatible with the chuck system and that they are secured in the chuck correctly.**

5.3.3 Battery tool use and care

- a) **Ensure the switch is in the off position before inserting battery pack.** Inserting the battery pack into power tools that have the switch on invites accidents.
- b) **Observe the special guidelines applicable to the transport, storage and use of Li-ion batteries.**
- c) **Do not expose batteries to high temperatures and keep them away from fire.** This presents a risk of explosion.
- d) **Do not disassemble, squash or incinerate batteries and do not subject them to temperatures over 80°C.** This presents a risk of fire, explosion or injury through contact with caustic substances.
- e) **Use only batteries of the type approved for use with the applicable power tool.** Use of unapproved

batteries or use of the batteries in areas of application for which they are not approved presents a risk of fire and explosion.

- f) **Do not charge or continue to use damaged batteries (e.g. batteries with cracks, broken parts, bent or pushed-in and/or pulled-out contacts).**
- g) **Avoid short circuiting the battery terminals. Before inserting the battery in the tool, make sure that the battery terminals and the terminals in the tool are free from foreign objects.** Short circuiting the battery terminals presents a risk of fire, explosion and chemical burns.
- h) **Avoid ingress of moisture.** Ingress of moisture may cause a short circuit, resulting in burning injuries or fire.
- i) If the battery is too hot to touch it may be defective. **Place the tool in a location where it can be kept under observation, well away from flammable materials, and allow it to cool down. Contact Hilti Service after the battery has cooled down.**

5.3.4 Electrical safety

Before beginning work, check the working area (e.g. using a metal detector) to ensure that no concealed electric cables or gas and water pipes are present. External metal parts of the power tool may become

live, for example, when an electric cable is damaged accidentally. This presents a serious risk of electric shock.

5.3.5 Work area

- a) **Ensure that the workplace is well lit.**
- b) **Ensure that the workplace is well ventilated.** Exposure to dust at a poorly ventilated workplace may result in damage to the health.
- c) **If the work involves breaking right through, take the appropriate safety measures at the opposite side.** Parts breaking away could fall out and / or fall down and injure other persons.

5.3.6 Personal protective equipment



The user and any other persons in the vicinity must wear suitable eye protection, a hard hat, ear protection, protective gloves and breathing protection while the tool is in use.

6 Before use



6.1 Battery use and care

NOTE

Battery performance drops at low temperatures. Never use the battery until the cells become fully discharged. Change to the second battery as soon as a drop in performance is noticed. Recharge the battery immediately so that it is ready for reuse.

Store the battery in a cool, dry place. Never store the battery where it is exposed to direct sunlight or sources of heat, e.g. on heaters / radiators or behind a motor vehicle windscreen. Batteries that have reached the end of their life must be disposed of safely and correctly to avoid environmental pollution.

6.2 Charging the battery



DANGER

Use only the Hilti batteries and Hilti chargers listed under "Accessories".

6.2.1 Charging a new battery for the first time

Charge the battery fully before using it for the first time.

6.2.2 Charging a previously used battery

Ensure that the outer surfaces of the battery are clean and dry before inserting it in the corresponding charger.

For information about charging, read the operating instructions for the battery charger and section 2.10 “Li-ion battery charge status” of these operating instructions. Li-ion batteries are ready for use at any time, even when only partly charged. Charging progress is indicated by the LED display (see charger operating instructions).

6.3 Fitting the battery **2**

CAUTION

Before fitting the battery, check that the power tool is switched off and that the safety lock is engaged (forward/reverse switch in the middle position).

1. Push the battery into the power tool from the rear until it is heard to engage with a double click.
2. **CAUTION A falling battery may present a risk of injury to yourself and others.**
Check that the battery is seated securely in the power tool.

6.4 Removing the battery **3**

1. Press both battery release buttons.

2. Pull the battery out of the power tool toward the rear.

6.5 Transport and storage of batteries

Pull the battery out of the locked position (working position) and move it into the first latching position (transport position).

Observe national and international transport regulations when shipping batteries (transportation by road, rail, sea or air).

6.6 Fitting the side handle **4**

1. Set the forward / reverse switch to the middle position or remove the battery from the power tool.
2. Release the side handle clamping band by turning the handle counterclockwise.
3. Remove the depth gauge from the side handle in order to avoid injury.
4. Slide the side handle clamping band over the chuck and onto the cylindrical section at the front end of the power tool.
5. Pivot the side handle into the desired position.
6. Fit the depth gauge and secure the side handle in the desired position by turning the grip firmly until tight.

7 Operation



CAUTION

In the event of the drill bit sticking, the power tool will pivot about its own axis. **Always use the power tool with the side handle fitted and hold it securely with both hands so that the resulting opposing force causes the slip clutch to release in the event of the drill bit sticking. Use clamps or a vice to hold the workpiece securely.**

7.1 Preparing for use

7.1.1 Fitting the insert tool **5**

CAUTION

Wear protective gloves when changing the insert tool.

1. Set the forward / reverse switch to the middle position or remove the battery from the power tool.
2. Check that the connection end of the insert tool is clean and lightly greased. Clean it and grease it if necessary.
3. Check that the sealing lip of the dust shield is clean and in good condition. Clean the dust shield if necessary or replace it if the sealing lip is found to be damaged (please refer to the “Care and maintenance” section).

4. Push the insert tool into the chuck and rotate it while applying slight pressure until it engages in the guide grooves.
5. Push the insert tool further into the chuck until it is heard to engage.
6. Check that the insert tool has engaged correctly by pulling it.

7.1.2 Adjusting the depth gauge / side handle **6**

1. Release the side handle clamping band by turning the handle counterclockwise.
2. Pivot the side handle into the desired position.
3. Adjust the depth gauge to the desired drilling depth.
4. Tighten the side handle securely by turning the grip section. This also clamps the depth gauge in position.

7.1.3 Removing the insert tool **7**

CAUTION

Wear protective gloves when changing insert tools as the insert tool will get hot during use.

1. Set the forward / reverse switch to the middle position or remove the battery from the power tool.
2. Open the chuck by pulling back the chuck release sleeve.
3. Pull the insert tool out of the chuck.

7.1.4 Removing the chuck **8**

CAUTION

Remove the depth gauge from the side handle and the insert tool from the chuck in order to avoid injury.

1. Set the forward / reverse switch to the middle position or remove the battery from the power tool.
2. Pull the chuck sleeve forward and hold it securely.
3. Remove the chuck by pulling it away from the power tool.

7.1.5 Fitting the chuck **9**

CAUTION

Remove the depth gauge from the side handle and the insert tool from the chuck in order to avoid injury.

1. Set the forward / reverse switch to the middle position or remove the battery from the power tool.
2. Grip the chuck sleeve, pull it forward and hold it securely in this position.
3. Slide the chuck onto the guide tube from the front and then release the sleeve.
4. Rotate the chuck until it is heard to engage.

7.2 Operation



CAUTION

Working on the material may cause it to splinter. **Wear eye protection and protective gloves. Wear breathing protection if no dust removal system is used.** Splintering material presents a risk of injury to the eyes and body.

CAUTION

The work generates noise. **Wear ear protectors.** Exposure to noise can cause hearing loss.

7.2.1 Working at low temperatures

NOTE

The hammering mechanism works only when the power tool has reached a minimum operating temperature.

Bring the drill bit briefly into contact with the base material while allowing the power tool to run under no load until the minimum operating temperature is reached. If necessary, repeat this procedure until the hammering mechanism begins to operate.

7.2.2 Forward / reverse

NOTE

The forward / reverse switch is used to select the direction of rotation of the drive spindle. An interlock prevents switching while the motor is running. The control switch is locked when the forward / reverse switch is in the middle position.

For forward rotation, push the forward / reverse switch on the side of the power tool toward the chuck in the direction of the arrow.

For reverse rotation, push the forward / reverse switch on the side of the power tool toward the grip in the direction of the arrow.

Bring the forward / reverse switch into the desired position.

7.2.3 Drilling without hammering **10**

1. Set the forward / reverse switch to the “forward” position before beginning drilling.
2. Turn the function selector switch until it engages in the “Drilling without hammering” position. Do not operate the function selector switch while the motor is running.
3. Bring the side handle into the desired position and check that it is fitted correctly and secured.
4. Fit the battery.
5. Position the power tool and drill bit at the point where the hole is to be drilled.
6. Press the control switch slowly (drill at a low speed until the drill bit centers itself in the hole).
7. Press the control switch fully to continue drilling with full power.
8. Adjust the pressure applied to the power tool according to the material you are working on. This will ensure the optimum rate of drilling progress.

7.2.4 Hammer drilling **11**

1. Set the forward / reverse switch to the “forward” position before beginning drilling.
2. Turn the function selector switch until it engages in the “Hammer drilling” position. Do not operate the function selector switch while the motor is running.
3. Bring the side handle into the desired position and check that it is fitted correctly and secured.
4. Fit the battery.
5. Position the power tool and drill bit at the point where the hole is to be drilled.
6. Press the control switch slowly (drill at a low speed until the drill bit centers itself in the hole).
7. Press the control switch fully to continue drilling with full power.
8. Adjust the pressure applied to the power tool according to the material you are working on. This will ensure the optimum rate of drilling progress.
9. Reduce drilling speed shortly before breaking through in order to avoid spalling.

7.2.5 Reading the charge state LED display on Li-ion batteries **12**

NOTE

The charge state cannot be indicated while the power tool is in operation. Indication is given (LED 1 blinks) when the battery is fully discharged or when it is too hot. The battery must then be inserted in the charger. If all 4 LEDs blink, this indicates that the power tool has been overloaded or has overheated.

The Li-ion battery features a state of charge LED display. The charge state is indicated by the LEDs on the battery during charging (please refer to the operating instructions for the charger). When the battery is not in use, pressing

one of the battery release buttons or inserting the battery into the power tool causes the battery charge state to be displayed by the four LEDs for three seconds.
See section: 2.9 Li-ion battery charge state

8 Care and maintenance

CAUTION

Before beginning cleaning, remove the battery in order to prevent the electric tool starting unintentionally.

8.1 Care of insert tools

Check that the connection end of the insert tool is clean and lightly greased. Clean it and grease it if necessary.

8.2 Care of the power tool

CAUTION

Keep the power tool, especially its grip surfaces, clean and free from oil and grease. Do not use cleaning agents which contain silicone.

Never operate the power tool when the ventilation slots are blocked. Clean the ventilation slots carefully using a dry brush. Do not permit foreign objects to enter the interior of the power tool. Clean the outside of the power tool at regular intervals with a slightly damp cloth. Do not use a spray, steam pressure cleaning equipment or running water for cleaning. This may negatively affect the electrical safety of the power tool.

8.3 Cleaning or replacing the dust shield

Clean the dust shield on the chuck with a dry, clean cloth at regular intervals. Clean the sealing lip by wiping it carefully and then grease it again lightly with Hilti grease. It is essential that the dust shield is replaced if the sealing lip is found to be damaged. Push the tip of a screwdriver under the edge of the dust shield and prise it out toward the front. Clean the area of the chuck in contact with dust shield and then fit a new dust shield. Press it in firmly until it engages.

8.4 Care of the Li-ion battery

Avoid ingress of moisture.

Charge the battery fully before using it for the first time. In order to achieve maximum battery life, stop drawing power from the battery as soon as a significant drop in battery performance is noticed.

NOTE

If use continues, further battery discharge will be stopped automatically before the battery cells suffer damage.

Charge the batteries with the Hilti chargers approved for use with Li-ion batteries.

NOTE

- A conditioning charge (as is required with NiCd or NiMH batteries) is not necessary.
- Interruption of the charging procedure has no negative effect on battery life.
- Charging can be started at any time with no negative effect on battery life. There is no memory effect (as with NiCd or NiMH batteries).
- For best results, batteries should be stored fully charged in a cool dry place. Storing the battery in places subject to high ambient temperatures (e.g. at a window) has an adverse effect on battery life and increases the rate of self-discharge.
- If the battery no longer reaches full charge, it may have lost capacity due to aging or overstraining. It is still possible to work with this battery. You should, however, soon replace the battery with a new one.

8.5 Maintenance

WARNING

Repairs to the electrical section of the power tool may be carried out only by trained electrical specialists.

Check all external parts of the power tool for damage at regular intervals and check that all controls operate faultlessly. Do not operate the power tool if parts are damaged or when the controls do not function faultlessly. If necessary, the power tool should be repaired by Hilti Service.

8.6 Checking the power tool after care and maintenance

After carrying out care and maintenance work on the power tool, check that all protective and safety devices are fitted and that they function faultlessly.

9 Troubleshooting

Fault	Possible cause	Remedy
The power tool doesn't run.	The battery is discharged or is not pushed all the way in.	The battery must be heard to engage with a double click or, respectively, needs to be charged.
	Electrical fault.	Remove the battery from the tool and contact Hilti Service.
	The battery is too hot or too cold.	Bring the battery to the recommended working temperature.
The power tool doesn't run and 1 LED blinks.	The battery is discharged.	Change the battery and charge the empty battery.
	The battery is too hot or too cold.	Bring the battery to the recommended working temperature.
The tool doesn't work and all 4 LEDs blink.	The power tool has been overloaded.	Release the control switch and press it again.
No hammering action.	The tool is too cold.	Bring the power tool to the operating temperature by pressing the insert tool lightly against the work surface and allowing the power tool to run briefly under no load.
	The function selector switch is set to "Drilling without hammering".	Set the function selector switch to "Hammer drilling".
	The forward/reverse switch is set to reverse rotation.	Set the forward/reverse switch to forward rotation.
The control switch can't be pressed, i.e. the switch is locked.	The forward / reverse switch is in the middle position (transport lock engaged).	Push the forward / reverse switch to the left or right.
The drive spindle doesn't rotate.	The permissible operating temperature of the power tool's electronics has been exceeded.	Allow the power tool to cool down.
	The maximum permissible battery operating temperature has been exceeded.	Bring the battery to the recommended operating temperature.
	The battery is discharged.	Change the battery and charge the empty battery.
The power tool switches itself off automatically.	The overload cut-out has been activated.	Release the control switch, reduce the load on the power tool and then press the switch again.
The battery runs down more quickly than usual.	Very low ambient temperature.	Allow the battery to warm up slowly to room temperature.
The battery doesn't engage with an audible double click.	The retaining lugs on the battery are dirty.	Clean the retaining lugs and push the battery in until it engages. Contact Hilti Service if the problem persists.
The power tool or the battery gets very hot.	Electrical fault.	Switch the power tool off immediately, remove the battery from the tool and allow it to cool down while keeping an eye on it, contact Hilti Service.
	The power tool has been overloaded (application limits exceeded).	Use the right power tool for the job (don't use a low-powered tool for heavy work).
The insert tool can't be released.	The chuck is not pulled back fully.	Pull the chuck back as far as it will go and remove the insert tool.
The tool makes no progress.	The forward/reverse switch is set to reverse rotation.	Set the forward/reverse switch to forward rotation.

10 Disposal

CAUTION

Improper disposal of the equipment may have serious consequences: the burning of plastic components generates toxic fumes which may present a health hazard. Batteries may explode if damaged or exposed to very high temperatures, causing poisoning, burns, acid burns or environmental pollution. Careless disposal may permit unauthorized and improper use of the equipment. This may result in serious personal injury, injury to third parties and pollution of the environment.

CAUTION

Dispose of defective batteries right away. Keep them out of reach of children. Do not disassemble or incinerate the batteries.

CAUTION

Batteries that have reached the end of their life must be disposed of in accordance with national regulations or returned to Hilti.



Most of the materials from which Hilti power tools or appliances are manufactured can be recycled. The materials must be correctly separated before they can be recycled. In many countries, Hilti has already made arrangements for taking back your old power tools or appliances for recycling. Please ask your Hilti customer service department or Hilti representative for further information.



For EC countries only

Disposal of electric tools together with household waste is not permissible.

In observance of the European Directive on waste electrical and electronic equipment and its implementation in accordance with national law, electrical appliances that have reached the end of their life must be collected separately and returned to an environmentally compatible recycling facility.

11 Manufacturer's warranty - tools

Please contact your local Hilti representative if you have questions about the warranty conditions.

12 EC declaration of conformity (original)

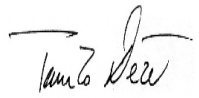
Designation:	Cordless rotary hammer
Type:	TE 6-A36-AVR
Generation:	03
Year of design:	2009

en We declare, on our sole responsibility, that this product complies with the following directives and standards: 2006/42/EC, 2006/66/EC, until 19th April 2016: 2004/108/EC, from 20th April 2016: 2014/30/EU, 2011/65/EU, EN 60745-1, EN 60745-2-6, EN ISO 12100.

Hilti Corporation, Feldkircherstrasse 100,
FL-9494 Schaan



Paolo Luccini
Head of BA Quality and Process Management
Business Area Electric Tools & Accessories
05/2015



Tassilo Deinzer
Executive Vice President
Business Unit Power Tools & Accessories
05/2015

Technical documentation filed at:

Hilti Entwicklungsgesellschaft mbH
Zulassung Elektrowerkzeuge
Hiltistrasse 6
86916 Kaufering
Deutschland



Hilti Corporation

LI-9494 Schaan

Tel.: +423/234 21 11

Fax: +423/234 29 65

www.hilti.com

Hilti = registered trademark of Hilti Corp., Schaan
Pos. 8 | 20160121

